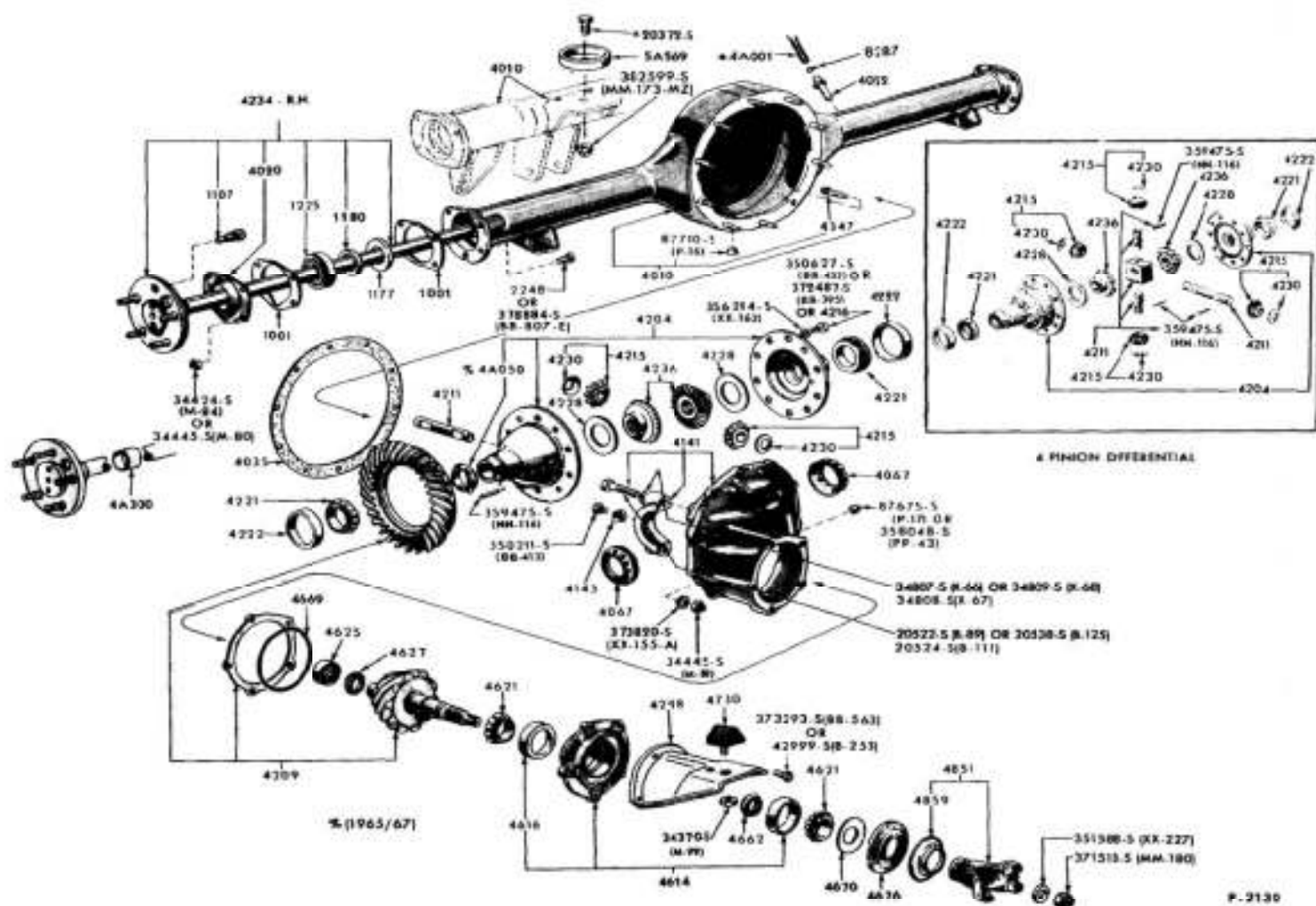


1970 Mustang

Part & Body Illustrations



Includes Shelby GT 350 / 500



BUY IT NOW!

Click Here To Order



© 2009 Forel Publishing Company, LLC



Copyright © 2009, Forel Publishing Company, LLC, Woodbridge, Virginia

All Rights Reserved. No part of this book may be used or reproduced in any manner whatsoever without written permission of Forel Publishing Company, LLC. For information write to Forel Publishing Company, LLC, 3999 Peregrine Ridge Ct., Woodbridge, VA 22192

1970 Mustang Part and Body Illustrations
EAN: 978-1-60371-038-1
ISBN: 1-60371-038-8

Forel Publishing Company, LLC
3999 Peregrine Ridge Ct.
Woodbridge, VA 22192
Email address: webmaster@ForelPublishing.com
Website: <http://www.ForelPublishing.com>



This publication contains material that is reproduced and distributed under a license from Ford Motor Company. No further reproduction or distribution of the Ford Motor Company material is allowed without the express written permission of Ford Motor Company.

Note from the Editor

This product was compiled using original Ford Motor Company publications. The contents of this product were extracted from: 1965/72 Ford Car Master Parts and Accessory Catalog (FP-7635- A and FP-7635- B).

Disclaimer

Although every effort was made to ensure the accuracy of this book, no representations or warranties of any kind are made concerning the accuracy, completeness or suitability of the information, either expressed or implied. As a result, the information contained within this book should be used as general information only. The author and Forel Publishing Company, LLC shall have neither liability nor responsibility to any person or entity with respect to any loss or damage caused, or alleged to be caused, directly or indirectly by the information contained in this book. Further, the publisher and author are not engaged in rendering legal or other professional services. If legal, mechanical, electrical, or other expert assistance is required, the services of a competent professional should be sought.



How this Manual is Organized

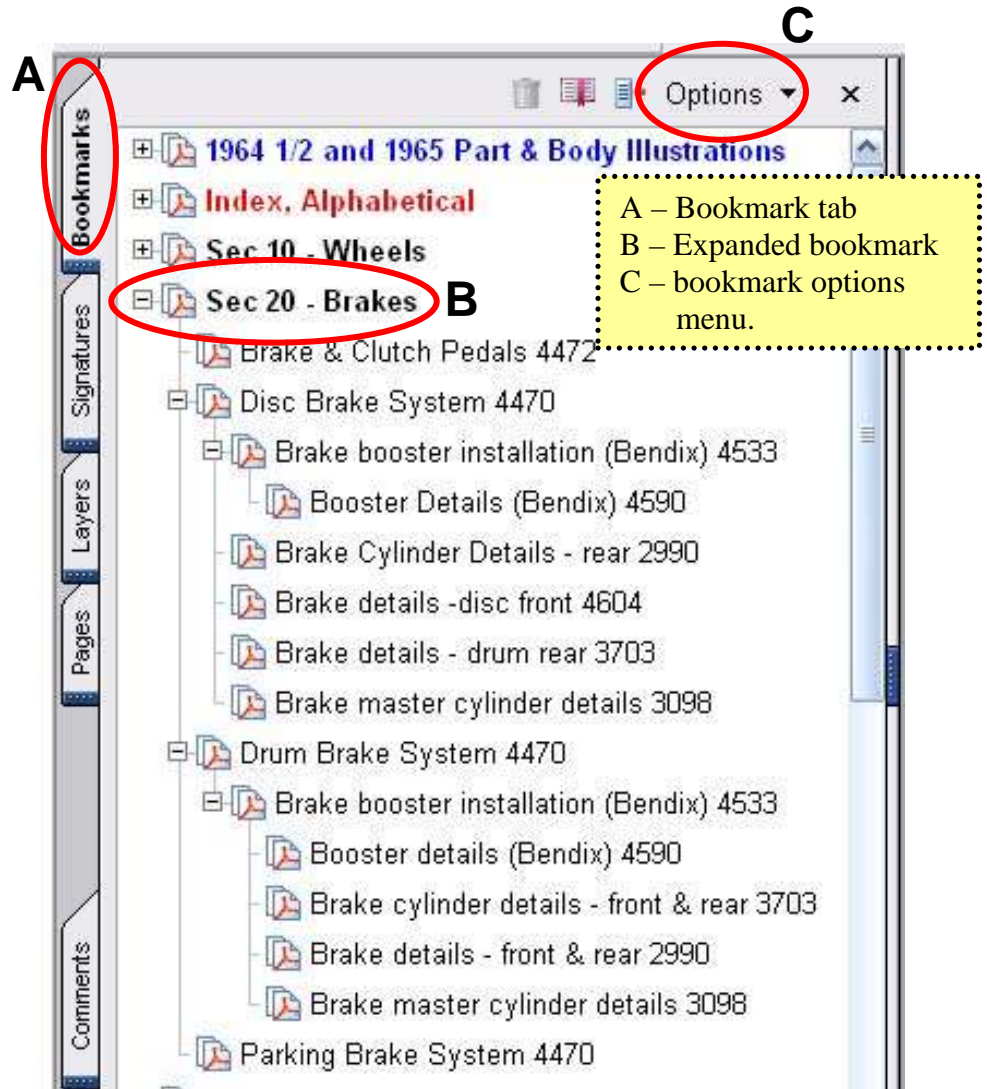
Navigating with bookmarks

This manual is primarily organized using “bookmarks”. Bookmarks are found on the left side of the screen and allow the user to navigate directly to a specific location within the document.

To browse using a bookmark:

1. Click the Bookmarks tab on the left side of the window, or choose view>Navigation Tabs>Bookmarks to display bookmarks.
2. To jump to a topic using its bookmark, click the bookmark. Click the plus sign (+) next to a parent bookmark to expand it. Click the minus sign (-) next to a bookmark to hide its children.

Note: Clicking a bookmark might perform an action instead of taking you to another location. It depends on how the bookmark was defined. For example, a hyperlinked bookmark could take you to a website.



If the list of bookmarks disappears when you click a bookmark, click the Bookmarks tab to display the list again. If you want the Bookmarks tab to always remain open after you click a menu at the top of the Bookmarks panel, and make sure Hide After



BUY IT NOW!

Click Here To Order



Basic Manual Organization

This manual is organized in three ways: **Illustration Number, Groupings by Sections** and **Alphabetical**.

Illustration Number:

Each illustration has its own illustration number. For example, the illustration for Brake & Clutch Pedals is illustration number “P-4472” and the illustration for the Brake Cylinder Details is “P-2990”. The pages of this book are arranged in illustration number order. Therefore, illustration 4473 would follow 2990.

Note: Illustrations are in numerical, not alphabetical order.

Groupings by Sections:

The grouping of diagrams by “section” is similar to how the Ford Motor Company originally organized its Master Parts and Accessories Catalog which contained both illustrations and part numbers to identify parts. For example, **Section 20 Brakes** groups most brake related parts for this vehicle.

This manual uses bookmarks to follow that same organization and uses the same terms Ford used to identify the diagrams. In addition, the diagram number has been added to the end of the description. For example,

Disc Brake System 4470 is the basic name of the diagram and the diagram number is 4470. For the bookmarks and index’s in this manual, the “P-“ has been omitted.

Sec 20 - Brakes

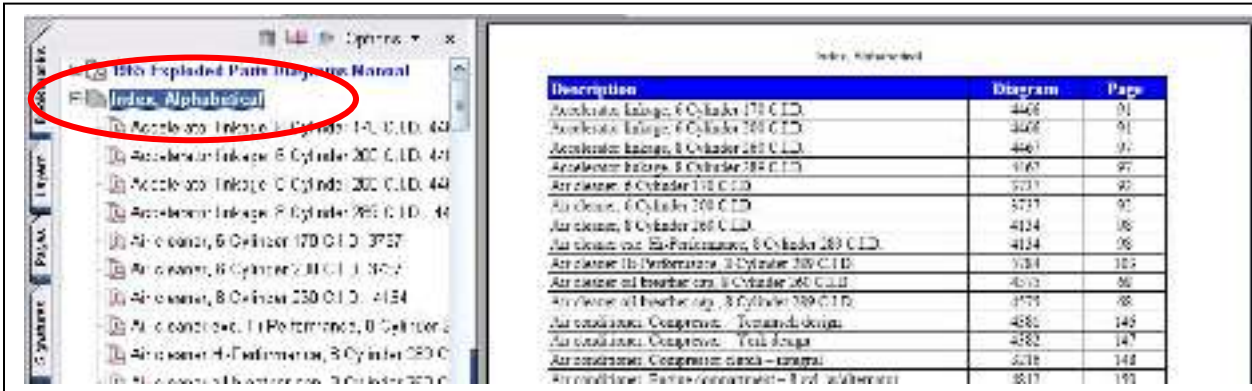
Brake & Clutch Pedals 4472
Disc Brake System 4470
 Brake booster installation (Bendix) 4533
 Booster Details (Bendix) 4590
Brake Cylinder Details - rear 2990
Brake details -disc front 4604
Brake details - drum rear 3703
Brake master cylinder details 3098
Drum Brake System 4470
 Brake booster installation (Bendix) 4533
 Booster details (Bendix) 4590
 Brake cylinder details - front & rear 2990
 Brake details - front & rear 2990
 Brake master cylinder details 3098
Parking Brake System 4470

The grouping of diagrams by number is useful in finding most diagrams related to a major group.



Alphabetical:

The alphabetical listing is a simple alphabetized listing of all diagrams. In some cases, if the diagram contained more than one major component, the diagram may be identified more than once. Expand the “Index, Alphabetical” bookmark to view details. The associated page contains the description, diagram number and page number for easy reference.



Description	Diagram	Page
Accelerator linkage, 6 Cylinder 170 C.I.D.	4468	91
Accelerator linkage, 6 Cylinder 180 C.I.D.	4468	91
Accelerator linkage, 6 Cylinder 180 C.I.D.	4461	91
Accelerator linkage, 8 Cylinder 280 C.I.D.	4167	97
Air cleaner, 6 Cylinder 170 C.I.D.	4131	92
Air cleaner, 6 Cylinder 180 C.I.D.	4131	92
Air cleaner, 8 Cylinder 180 C.I.D.	4124	98
Air cleaner, 8-Cylinder, Hi-Performance, 8 Cylinder 180 C.I.D.	4124	98
Air cleaner Hi-Performance, 8 Cylinder 180 C.I.D.	4134	103
Air cleaner oil separator, 8 Cylinder 180 C.I.D.	4132	98
Air cleaner oil separator, 8 Cylinder 180 C.I.D.	4171	98
Air conditioning, Compressor - Toronado design	4881	149
Air conditioning, Compressor - Ford design	4882	147
Air conditioning, Compressor - integral	4718	148
Air conditioning, Fan/condensator - Ford alternator	4817	149

Note: Illustrations are in numerical, not alphabetical order.



100% SATISFACTION GUARANTEED

BUY IT NOW!

Click Here To Order

PayPal American Express Discover MasterCard VISA

Index, Numerical Order
1970 Mustang Part and Body Illustrations

Number	Description	Page
1246	Oil filters - cartridge type	22
2130	Rear Axle Non-Locking (separate carrier)	23
2384	Oil filters - spin-on type	24
2476	Oil Pump – 390, 427, 428 CID Engine	25
2485	Valves, push rods, and rocker arm cover – 390, 427, 428 CID Engine	26
2486	Oil Filters - spin-on type and adapter	27
2487	Piston and connecting rods – 390, 427, 428 CID Engine	28
2488	Crankshaft and flywheel	29
2881	Cylinder Block, 8 Cyl., 352, 390, 427, 428 CID	30
2962	Water Pumps, 6 cyl. - 200, 250 engines	31
2963	Oil pump, 6 Cylinder 200, 250 C.I.D.	32
2964	Camshaft, gear and bearings, 6 Cylinder 200, 250 C.I.D.	33
3088	Cylinder block, 6 Cylinder 200, 250 C.I.D.	34
3089	Valves, push rods and rocker arm cover, 6 Cylinder	35
3090	Piston and connecting rod, 6 Cylinder 200, 250 C.I.D.	36
3118	Front and rear wheel, hub, & bearing	37
3125	Springs, Rear Suspension	38
3137	Shock absorber - rear	39
3144	Drive Shaft	40
3147	Cooling Systems, 6 & 8 Cyl. Engines	41
3191	Starter and Drive Assy. – Positive Engagement	42
3216	Air conditioner, Compressor clutch (integral)	43
3627	Transmission Automatic, Vacuum throttle valve, lines and fittings - typical	44
3703	Brake details - drum rear	45
3726	Valves, push rods and rocker arm cover, 6 Cyl and 8 Cyl 260, 289,302,351,400,429,460	46
3727	Cylinder head, valves, and related parts, 8 Cyl.	47
3732	Piston and connecting rod, 6 Cyl and 8 Cyl 260, 289,302,351,400,429,460 C.I.D.	48
3733	Camshaft, gear and bearings, 8 Cylinder Engines	49
3734	Crankshaft and flywheel, 8 Cylinder Engines	50
3736	Oil pump, 8 Cylinder 260, 289,302,351,400,429,460 C.I.D.	51
3742	Intake manifold & related parts, 8 Cylinder 289 CID Engine	52
	Brake details - front & rear	53
	Transmission, 3 Speed manual trans 3.03 type	54
		55



BUY IT NOW!

Click Here To Order



Index, Numerical Order
1970 Mustang Part and Body Illustrations

Number	Description	Page
4326	Transmission C4 Type, Case, converter assy., extension, pump - typical	56
4327	Transmission C4 Type, Clutches, gears, shafts, rear support - typical	57
4328	Transmission C4 Type, Servo and band, front - typical	58
4329	Transmission C4 Type, Servo and band, rear - typical	59
4330	Transmission C4 Type, Parking pawl, throttle and manual control linkage - typical	60
4381	Air conditioner, Compressor (Tecumseh design)	61
4382	Air conditioner, Compressor (York design)	62
4389	Rocker arm cover type-open system, 6 Cylinder 200	63
4424	Transmission, Manual, Ford 4 speed	64
4507	Transmission C4 Type, Main control valve body assy. (Basic 7A100) - typical	65
4508	Alternator (Ford 15 volt-38, 42, 45, 55, 60 amp)	66
4592	Emission Reduction System, rocker arm cover type-open system	67
4721	Rear Axle, Locking - Dapco no-spin-9" ring gear (separate carrier)	68
4735	Courtesy lamp – quarter panel mounted	69
4862	Transmission Automatic, bushings	70
4878	Camshaft, gear and bearings	71
4899	Crankshaft and flywheel, 6 Cylinder 200, 250 C.I.D.	72
4924	Distributor (8 cylinder – with stamped weights)	73
5009	Exhaust air supply pump	74
5143	Water Pumps, 8 cyl. - 289, 302, 351W engine (with cover)	75
5172	Transmission C6 Type, Case, converter assy., extension, pump - typical	76
5173	Transmission C6 Type, Clutches, gears, shafts - typical	77
5174	Transmission C6 Type, Servo and band - typical	78
5176	Transmission C6 Type, Main control valve body assy. (Basic 7A100) - typical	79
5191	Transmission C6 Type, Parking pawl, throttle and manual control linkage - typical	80
5302	Rocker arm cover type - 4/B carb. Open system	81
5320	Carburetor - Holley 4V	82
5394	Alternator (Ford 15 volt - 65 amp)	83
5457	Carburetor - Ford 4V - without external accel pump	84
5466	Sheet Metal - under body 1967/70 body type 63, 1967/69 body type 65	85
5518	Brake Master Cylinder details	86
	(Ford 15 volt, negative ground)	87
	12 volt – positive engagement)	88
	ring pump details	89

100% SATISFACTION GUARANTEED

BUY IT NOW!

Click Here To Order

PayPal American Express Discover MasterCard VISA

Index, Numerical Order
1970 Mustang Part and Body Illustrations

Number	Description	Page
5625	Engine Supports, 6 Cyl. and 8 Cyl. Engines	90
5626	Engine Supports – 390, 427, 428 CID Engine	91
5627	Handles and latch parts (front door)	92
5633	Thermostatic Choke Control	93
5634	Latch parts (Luggage Compartment)	94
5723	Cooling System - 390, 427, 428, 429 CID Engine	95
5741	Alternator (Leece Neville 15 volt-53, 60, 65 amp)	96
5773	Mirror - remote control	97
5787	Rear seat folding - body type 63	98
5788	Rear seat fixed - body type 63	99
5796	Rear Axle Equa Lock (integral carrier) and Non-Locking (integral carrier)	100
5801	Air Conditioner - engine compartment - integral 8 cyl. 390, 428	101
5825	Distributor (6 Cylinder 250 Engine)	102
5952	Starter and Solenoid (Ford 12 volt - positive engagement)	103
5959	Steering linkage, Manual	104
6209	Carburetor - Carter - Thermostatic choke	105
6218	Brake Details, disc front	106
6221	Air Cleaner - 6 Cylinder	107
6224	Air Cleaner - exc. Ram Air	108
6432	Thermostatic Choke Control System	109
6440	Door Bumpers, rubber	110
6459	Rear Axle, Locking (Traction Lok)	111
6462	Transmission FMX type - Case, converter assy., extension, pump, rear support - typical	112
6463	Transmission FMX type - Clutches, gears, shafts, extension - typical	113
6464	Transmission FMX type - Servo and band, front - typical	114
6465	Transmission FMX type - Servo and band, rear - typical	115
6466	Transmission FMX type - Main control valve body assy. (Basic 7A100) - typical	116
6470	Transmission FMX type - Oil pressure regulator assy. (Basic 7A139) - typical	117
6471	Transmission FMX type - Parking pawl, throttle and manual control linkage - typical	118
6472	Transmission FMX type - Oil pressure tubes installation - typical	119
6475	Air Conditioner - engine compartment - integral 6 cyl. 200, 250	120
	engine compartment - integral, 8 cyl. 302, 351	121
	l. 351C, 400, 429, 460 engines	122
	hang-on	123



BUY IT NOW!

Click Here To Order



Index, Numerical Order
1970 Mustang Part and Body Illustrations

Number	Description	Page
6619	Air Cleaner - 8 cylinder - Ram Air - fixed type - Cobra Jet Engine	124
6642	Heater, Force Ventilation System	125
6643	Air Conditioner Controls - Integral	126
6644	Air Conditioner - passenger compartment - integral	127
6645	Air Conditioner - vacuum hoses - integral	128
6650	Hood - except Shelby GT350 / 500	129
6657	Instrument Panel, Wiring - except GT 350 / 500	130
6658	Instrument Cluster and Related Parts	131
6659	Instrument Panel and related parts	132
6664	Bumper, front - except Shelby GT 350 / 500	133
6716	Sheet Metal - body type 63 - upper body	134
6731	Bumper, rear	135
6732	Window parts - quarter window - body type 63	136
6733	Window parts - quarter window - body type 65, 76	137
6737	Console - except Shelby GT350/500	138
6738	Luggage Carrier - luggage compartment mounted - removable	139
6740	Windshield - body types 63, 65	140
6741	Windshield - body types 76	141
6754	Brake, Disc and Drum System	142
6755	Brake, Parking Brake System	143
6756	Clutch and Brake Pedals	144
6788	Back Belt Mouldings - body type 76	145
6789	Back Window - body type 63	146
6790	Back Window - body type 65	147
6794	Gear Shift Mechanism, Transmission - console or floor mtd - 3 speed trans.	148
6802	Transmission Automatic, Shift control selector mechanism, Automatic	149
6808	Roof side mouldings and weatherstrips - body type 65	150
6809	Headrest, Front Seat	151
6816	Window parts - front door	152
6845	Interior Trim parts - body type 63 - w/fixed rear seat	153
6846	Interior Trim parts - body type 65	154
6847	Interior Trim parts - body type 76	155
	- body type 63 - w/folding rear seat	156
	r and wipers	157
	nd washer	158

100% SATISFACTION GUARANTEED

BUY IT NOW!

Click Here To Order

PayPal American Express Discover MasterCard VISA

Index, Numerical Order
1970 Mustang Part and Body Illustrations

Number	Description	Page
6869	Seat Belt and Parking Brake Warning Lamp Installation	159
6888	Air Cleaner - 8 cylinder - Ram Air - shaker type - Cobra Jet Engine	160
6889	Air Cleaner - Cobra Jet - exc. Ram Air	161
6895	Convertible Top Electrical System	162
6896	Accelerator Linkage - 6 Cylinder, 200, 250 CID Engines	163
6897	Accelerator Linkage	164
6906	Steering, Power Steering Linkage	165
6918	Hood - Shelby GT350 / 500	166
6919	Headlamp, parking & front fender side marker, fog - GT 350 / 500	167
6920	Fender and apron sheet metal - Shelby GT350 / 500	168
6921-A	Bumper, front - Shelby GT 350 / 500	169
6921-B	Radiator Grille and related parts - GT350 / 500	170
6922-A	Rear lamp, backup lamp, license plate & body side marker - GT 350 / 500	171
6922-B	Exterior Moulding, back end - Shelby GT350 / 500	172
6923	Exterior Moulding, side - Shelby GT350 / 500	173
6926	Instrument Panel, Wiring - GT 350 / 500	174
6927	Suspension, Front	175
6939	Roll Bar parts - Shelby GT350/500	176
6946	Steering, Power Steering Pump Installation, 6 cyl engines	177
6947	Steering, Power Steering Pump Installation, 6 cyl engines	178
6949	Console - Shelby GT350/500	179
6964	Turn indicator - hood mounted	180
6971	Courtesy Lamp - door mounted	181
6977	Ventilating Ducts	182
6980	Hinges - front door upper	183
6981	Hinges - front door lower	184
6984	Engine Oil Cooler System	185
6987-A	Folding Top Parts - less trim - body type 76	186
6987-B	Folding Top Parts - less trim - body type 76 (continued)	187
6996	Wiring System - Typical - Page A	188
7026	Wiring System - Typical - Page B	189
7032	Rear Window Defogger	190
	pillar mounted	191
	cooling system, automatic - typical	192
	el Parts	193

100% SATISFACTION GUARANTEED

BUY IT NOW!

Click Here To Order

PayPal American Express Discover MasterCard VISA

Index, Numerical Order
1970 Mustang Part and Body Illustrations

Number	Description	Page
7078	AM Stereo Tape Player, AM/FM Multiplex Radio with speakers - integral	194
7102	Exterior Mouldings - Back End - except Shelby GT350 / 500	195
7103	Exterior Mouldings - Side - except Shelby GT350 / 500	196
7104	Roof side mouldings and weatherstrips - body type 63	197
7159	Fender and Apron Sheet Metal - except GT350 / 500	198
7160	Radiator Grille and related parts (except GT350 / 500)	199
7172	Lamps, Rear Lamp, Backup Lamp, License Plate and Body Sider Marker - except GT350 /	200
7173	Lamps, Headlamps, Parking Lamp and Front Fender Sider Marker - except GT350 / 500	201
7179	Window, Back Window - outside - body type 65	202
7183	Pressure Release Vent - Quarter	203
7207	Fuel System - Evaporative Emission Control	204
7208	Fuel System - without Evaporative Emission Control	205
7245	Steering Column - floor shift - fixed wheel	206
7246	Steering Column - floor shift - tilt wheel	207
7271	Sheet Metal - body type 65 - under body	208
7272	Sheet Metal - body type 76 - under body	209
7273	Sheet Metal - body type 65 - upper body	210
7275	Sheet Metal - body type 76 - upper body	211
7293	Seat, Front Seat Mechanism - Bucket Seat	212
7295	Carburetor - Carter RBS	213
7296	Front Seat Back Latch	214
7365	Steering, Power Steering Pump Installation	215
7373	Air Cleaner - Ram Air (W)	216
7374	Air Cleaner - Ram Air	217
7376	Air Cleaner - exc. Ram Air (8 cylinder)	218
7383	Exterior Mouldings - Vinyl Roof Mouldings - Body Type 65E	219
7402	Luggage Carrier, Ski Rack, Luggage Cover - Luggage Compartment Mounted	220
7412	Louvers - back window - body type 63	221
7428	Luggage Compartment trim	222
7450	Seat Belt and Shoulder Harness Installation - Front Seat	223
7451	Seat Belt Installation - Rear Seat	224
	ails - 6 cyl.	225
	maximum handling stabilizer bar	226
		227



BUY IT NOW!

Click Here To Order



Index, Numerical Order
1970 Mustang Part and Body Illustrations

Number	Description	Page
7474	Lamps, Sports grille mounted	228
7499	Gear Shift Mechanism - Hurst Floor Mounted - 4 Speed Manual Transmission	229
7513	Steering Wheel - 2 spoke	230
7514	Steering Wheel - 3 spoke - rim blow - with cover	231
7560	Distributor Modulator System - 8 cyl. 302 CID Engine	232
7561	Distributor Modulator System - Ram Air	233
7562	Distributor Modulator System - without Ram Air	234
7589	Engine Governor Transistorized - 302, 428, 429 CJ & SCJ	235
7662	Instrument panel pad and attaching parts	236
7741	Air Conditioner - engine compartment - integral 6 cyl. 200, 250 CID	237
8301	Air Conditioner - passenger compartment - integral	238
8322	Intake Manifold - 8 cyl. 429 CID	239
8367	Cylinder Block - external (Cleveland)	240
8368	Cylinder Block - internal (Cleveland)	241
8369	Cylinder Block - external (Windsor)	242
8370	Cylinder Block - internal (Windsor)	243
8371	Engine Assembly - 390 and 428 CID	244
8372	Engine Assembly - 351 CID	245
8398	Engine assembly, 6 Cylinder 200, 250 C.I.D.	246
8403	Engine Assembly - 8 cylinder 429, 460 CID	247
8408	Rocker arm cover type-closed system, 6 Cylinder 200, 250	248
8503	Air Conditioner - passenger compartment - Hang-on - Slimline	249
8523	Thermactor Emission Control System - 8 Cyl. "Boss 302" Engine	250
8524	Thermactor Emission Control System - 8 Cyl. 429 Engine	251
9198	Water Pump - 8 cyl 390, 428 CID Engine	252
9859	Steering Gear Details	253
10675	Auxiliary air spring installation	254
10685	Steering Wheel - 3 spoke - rim blow - w/o cover	255
11434	Windshield wiper - wiper motor (2 speed Ford electric)	256
11536	Child safety seat	257
EA-2	Exhaust System, 351-2B, Engine Code C - Single Exhaust	258
EA-3	Exhaust System, 351-2B, Engine Code W - Single Exhaust	259
	302-2B, Single Exhaust	260
	29-4B, Boss - Dual Exhaust	261
	20-1B, 250-1B, Single Exhaust	262

SATISFACTION 100% GUARANTEED

BUY IT NOW!

Click Here To Order

PayPal, American Express, Discover, MasterCard, VISA

Index, Numerical Order
1970 Mustang Part and Body Illustrations

Number	Description	Page
EA-30	Exhaust System, Boss 302-4B, Dual Exhaust	263
EA-31	Exhaust System, 428-4B, Except Shelby GT500 - Dual Exhaust	264
EA-32	Exhaust System, 351-4B, Except Shelby GT350 - Dual Exhaust	265
EA-55	Exhaust System, 351-4B, Shelby GT350 - Dual Exhaust	266
EA-56	Exhaust System, 428-4B, Shelby GT500 - Dual Exhaust	267



Index, Alphabetical Order
1970 Mustang Part and Body Illustrations

Description	Number	Page
Accelerator Linkage	6897	164
Accelerator Linkage - 6 Cylinder, 200, 250 CID Engines	6896	163
Air Cleaner - 6 Cylinder	6221	107
Air Cleaner - 8 cylinder - Ram Air - fixed type - Cobra Jet Engine	6619	124
Air Cleaner - 8 cylinder - Ram Air - shaker type - Cobra Jet Engine	6888	160
Air Cleaner - Cobra Jet - exc. Ram Air	6889	161
Air Cleaner - exc. Ram Air	6224	108
Air Cleaner - exc. Ram Air (8 cylinder)	7376	218
Air Cleaner - Ram Air	7374	217
Air Cleaner - Ram Air (W)	7373	216
Air Conditioner - engine compartment - integral 6 cyl. 200, 250	6475	120
Air Conditioner - engine compartment - integral 6 cyl. 200, 250 CID	7741	237
Air Conditioner - engine compartment - integral 8 cyl. 390, 428	5801	101
Air Conditioner - engine compartment - integral, 8 cyl. 302, 351	6476	121
Air Conditioner - passenger compartment - Hang-on - Slimline	8503	249
Air Conditioner - passenger compartment - integral	6644	127
Air Conditioner - passenger compartment - integral	8301	238
Air Conditioner - vacuum hoses - integral	6645	128
Air Conditioner Controls - Integral	6643	126
Air conditioner, Compressor (York design)	4382	62
Air conditioner, Compressor (Tecumseh design)	4381	61
Air conditioner, Compressor clutch (integral)	3216	43
Alternator (Ford 15 volt - 65 amp)	5394	83
Alternator (Ford 15 volt-38, 42, 45, 55, 60 amp)	4508	66
Alternator (Leece Neville 15 volt-53, 60, 65 amp)	5741	96
AM Stereo Tape Player, AM/FM Multiplex Radio with speakers - integral	7078	194
Auxiliary air spring installation	10675	254
Back Belt Mouldings - body type 76	6788	145
Back Window - body type 63	6789	146
Back Window - body type 65	6790	147
Brake Cylinder Details - front & rear	3906	53
Brake details - drum rear	3703	45
	6218	106
	5518	86
	6754	142

100% SATISFACTION GUARANTEED

BUY IT NOW!

Click Here To Order

PayPal American Express Discover MasterCard VISA

Index, Alphabetical Order
1970 Mustang Part and Body Illustrations

Description	Number	Page
Brake, Parking Brake System	6755	143
Bumper, front - except Shelby GT 350 / 500	6664	133
Bumper, front - Shelby GT 350 / 500	6921-A	169
Bumper, rear	6731	135
Camshaft, gear and bearings	4878	71
Camshaft, gear and bearings, 6 Cylinder 200, 250 C.I.D.	2964	33
Camshaft, gear and bearings, 8 Cylinder Engines	3733	49
Carburetor - Carter - Thermostatic choke	6209	105
Carburetor - Carter RBS	7295	213
Carburetor - Ford 2V	7457	227
Carburetor - Ford 4V - without external accel pump	5457	84
Carburetor - Holley 4V	5320	82
Child safety seat	11536	257
Clutch and Brake Pedals	6756	144
Console - except Shelby GT350/500	6737	138
Console - Shelby GT350/500	6949	179
Control Valve Details - 6 cyl.	7454	225
Convertible Top Electrical System	6895	162
Cooling System - 390, 427, 428, 429 CID Engine	5723	95
Cooling Systems, 6 & 8 Cyl. Engines	3147	41
Courtesy Lamp - door mounted	6971	181
Courtesy Lamp - pillar mounted	7040	191
Courtesy lamp - quarter panel mounted	4735	69
Crankshaft and flywheel	2488	29
Crankshaft and flywheel, 6 Cylinder 200, 250 C.I.D.	4899	72
Crankshaft and flywheel, 8 Cylinder Engines	3734	50
Cylinder Block - external (Cleveland)	8367	240
Cylinder Block - external (Windsor)	8369	242
Cylinder Block - internal (Cleveland)	8368	241
Cylinder Block - internal (Windsor)	8370	243
Cylinder block, 6 Cylinder 200, 250 C.I.D.	3088	34
Cylinder Block, 8 Cyl., 352, 390, 427, 428 CID	2881	30
... parts, 8 Cyl.	4180	55
... (line)	3727	47
... (line)	5825	102

100% SATISFACTION GUARANTEED

BUY IT NOW!

Click Here To Order

PayPal American Express Discover MasterCard VISA

Index, Alphabetical Order
1970 Mustang Part and Body Illustrations

Description	Number	Page
Distributor (8 cylinder – with stamped weights)	4924	73
Distributor Modulator System - 8 cyl. 302 CID Engine	7560	232
Distributor Modulator System - Ram Air	7561	233
Distributor Modulator System - without Ram Air	7562	234
Door Bumpers, rubber	6440	110
Drive Shaft	3144	40
Emission Reduction System, rocker arm cover type-open system	4592	67
Engine Assembly - 351 CID	8372	245
Engine Assembly – 390 and 428 CID	8371	244
Engine Assembly - 8 cylinder 429, 460 CID	8403	247
Engine assembly, 6 Cylinder 200, 250 C.I.D.	8398	246
Engine Governor Transistorized - 302, 428, 429 CJ & SCJ	7589	235
Engine Oil Cooler System	6984	185
Engine Supports – 390, 427, 428 CID Engine	5626	91
Engine Supports, 6 Cyl. and 8 Cyl. Engines	5625	90
Exhaust air supply pump	5009	74
Exhaust System, 200-1B, 250-1B, Single Exhaust	EA-11	262
Exhaust System, 302-2B, Single Exhaust	EA-4	260
Exhaust System, 351-2B, Engine Code C - Single Exhaust	EA-2	258
Exhaust System, 351-2B, Engine Code W - Single Exhaust	EA-3	259
Exhaust System, 351-4B, Except Shelby GT350 - Dual Exhaust	EA-32	265
Exhaust System, 351-4B, Shelby GT350 - Dual Exhaust	EA-55	266
Exhaust System, 428-4B, Except Shelby GT500 - Dual Exhaust	EA-31	264
Exhaust System, 428-4B, Shelby GT500 - Dual Exhaust	EA-56	267
Exhaust System, 429-4B, Boss - Dual Exhaust	EA-10	261
Exhaust System, Boss 302-4B, Dual Exhaust	EA-30	263
Exterior Moulding, back end - Shelby GT350 / 500	6922-B	172
Exterior Moulding, side - Shelby GT350 / 500	6923	173
Exterior Mouldings - Back End - except Shelby GT350 / 500	7102	195
Exterior Mouldings - Side - except Shelby GT350 / 500	7103	196
Exterior Mouldings - Vinyl Roof Mouldings - Body Type 65E	7383	219
Fender and Apron Sheet Metal - except GT350 / 500	7159	198
Fender and Apron Sheet Metal - Shelby GT350 / 500	6920	168
Fender and Apron Sheet Metal - body type 76	6987-A	186
Fender and Apron Sheet Metal - body type 76 (continued)	6987-B	187

100% SATISFACTION GUARANTEED

BUY IT NOW!

Click Here To Order

PayPal American Express Discover MasterCard VISA

Index, Alphabetical Order
1970 Mustang Part and Body Illustrations

Description	Number	Page
Front and rear wheel, hub, & bearing	3118	37
Front Seat Back Latch	7296	214
Fuel System - Evaporative Emission Control	7207	204
Fuel System - without Evaporative Emission Control	7208	205
Gear Shift Mechanism - Hurst Floor Mounted - 4 Speed Manual Transmission	7499	229
Gear Shift Mechanism, Transmission - console or floor mtd - 3 speed trans.	6794	148
Handles and latch parts (front door)	5627	92
Headlamp, parking & front fender side marker, fog - GT 350 / 500	6919	167
Headrest, Front Seat	6809	151
Heater, Force Ventilation System	6642	125
Hinges – front door lower	6981	184
Hinges - front door upper	6980	183
Hood - except Shelby GT350 / 500	6650	129
Hood - Shelby GT350 / 500	6918	166
Instrument Cluster and Related Parts	6658	131
Instrument Panel and related parts	6659	132
Instrument panel pad and attaching parts	7662	236
Instrument Panel, Wiring - except GT 350 / 500	6657	130
Instrument Panel, Wiring - GT 350 / 500	6926	174
Intake Manifold - 8 cyl. 429 CID	8322	239
Intake manifold & related parts, 8 Cylinder 289 CID Engine	3742	52
Interior Trim parts - body type 63 - w/fixed rear seat	6845	153
Interior Trim parts - body type 63 - w/folding rear seat	6848	156
Interior Trim parts - body type 65	6846	154
Interior Trim parts - body type 76	6847	155
Jack and Spare Wheel Parts	7063	193
Lamps, Headlamps, Parking Lamp and Front Fender Sider Marker - except GT350 / 500	7173	201
Lamps, Rear Lamp, Backup Lamp, License Plate and Body Sider Marker - except GT350 /	7172	200
Lamps, Sports grille mounted	7474	228
Latch parts (Luggage Compartment)	5634	94
Louver covers - back window - body type 63	7412	221
Luggage compartment mounted - removable	6738	139
Luggage Cover - Luggage Compartment Mounted	7402	220
	7428	222

100% SATISFACTION GUARANTEED

BUY IT NOW!

Click Here To Order

PayPal American Express Discover MasterCard VISA

Index, Alphabetical Order
1970 Mustang Part and Body Illustrations

Description	Number	Page
Mirror - remote control	5773	97
Oil filters - cartridge type	1246	22
Oil filters - spin-on type	2384	24
Oil Filters - spin-on type and adapter	2486	27
Oil Pump – 390, 427, 428 CID Engine	2476	25
Oil pump, 6 Cylinder 200, 250 C.I.D.	2963	32
Oil pump, 8 Cylinder 260, 289,302,351,400,429,460 C.I.D.	3736	51
Piston and connecting rod, 6 Cyl and 8 Cyl 260, 289,302,351,400,429,460 C.I.D.	3732	48
Piston and connecting rod, 6 Cylinder 200, 250 C.I.D.	3090	36
Piston and connecting rods – 390, 427, 428 CID Engine	2487	28
Pressure Release Vent - Quarter	7183	203
Radiator Grille and related parts - GT350 / 500	6921-B	170
Radiator Grille and related parts (except GT350 / 500)	7160	199
Rear Axle Equa Lock (integral carrier) and Non-Locking (integral carrier)	5796	100
Rear Axle Non-Locking (separate carrier)	2130	23
Rear Axle, Locking - Dapco no-spin-9" ring gear (separate carrier)	4721	68
Rear Axle, Locking (Traction Lok)	6459	111
Rear lamp, backup lamp, license plate & body side marker - GT 350 / 500	6922-A	171
Rear seat fixed - body type 63	5788	99
Rear seat folding - body type 63	5787	98
Rear Window Defogger	7032	190
Rocker arm cover type - 4/B carb. Open system	5302	81
Rocker arm cover type-closed system, 6 Cylinder 200, 250	8408	248
Rocker arm cover type-open system, 6 Cylinder 200	4389	63
Roll Bar parts - Shelby GT350/500	6939	176
Roof side mouldings and weatherstrips - body type 63	7104	197
Roof side mouldings and weatherstrips - body type 65	6808	150
Seat Belt and Parking Brake Warning Lamp Installation	6869	159
Seat Belt and Shoulder Harness Installation - Front Seat	7450	223
Seat Belt Installation - Rear Seat	7451	224
Seat, Front Seat Mechanism - Bucket Seat	7293	212
Sheet Metal - body type 63 - upper body	6716	134
Sheet Metal - body type 63 - lower body	7271	208
Sheet Metal - body type 65 - upper body	7273	210
Sheet Metal - body type 65 - lower body	7272	209

100% SATISFACTION GUARANTEED

BUY IT NOW!

Click Here To Order

PayPal American Express Discover MasterCard VISA

Index, Alphabetical Order
1970 Mustang Part and Body Illustrations

Description	Number	Page
Sheet Metal - body type 76 - upper body	7275	211
Sheet Metal - under body 1967/70 body type 63, 1967/69 body type 65	5466	85
Shock absorber - rear	3137	39
Springs, Rear Suspension	3125	38
Starter and Drive Assy. – Positive Engagement	3191	42
Starter and Solenoid (Ford 12 volt - positive engagement)	5952	103
Starter Drive (Ford 12 volt – positive engagement)	5526	88
Steering Column - floor shift - fixed wheel	7245	206
Steering Column - floor shift - tilt wheel	7246	207
Steering Gear Details	9859	253
Steering linkage, Manual	5959	104
Steering Wheel - 2 spoke	7513	230
Steering Wheel - 3 spoke - rim blow - w/o cover	10685	255
Steering Wheel - 3 spoke - rim blow - with cover	7514	231
Steering, Power Steering Linkage	6906	165
Steering, Power steering pump details	5615	89
Steering, Power Steering Pump Installation	7365	215
Steering, Power Steering Pump Installation, 6 cyl engines	6946	177
Steering, Power Steering Pump Installation, 6 cyl engines	6947	178
Stereo tape player - hang-on	6540	123
Suspension, Front	6927	175
Suspension, Rear - maximum handling stabilizer bar	7455	226
Thermactor Emission Control System - 8 Cyl. "Boss 302" Engine	8523	250
Thermactor Emission Control System - 8 Cyl. 429 Engine	8524	251
Thermostatic Choke Control	5633	93
Thermostatic Choke Control System	6432	109
Transmission Automatic, bushings	4862	70
Transmission Automatic, Shift control selector mechanism, Automatic	6802	149
Transmission Automatic, Vacuum throttle valve, lines and fittings - typical	3627	44
Transmission C4 Type, Case, converter assy., extension, pump - typical	4326	56
Transmission C4 Type, Clutches, gears, shafts, rear support - typical	4327	57
Transmission C4 Type, Main control valve body assy. (Basic 7A100) - typical	4507	65
Transmission C4 Type, Main control valve body assy. (Basic 7A100) - typical	4330	60
Transmission C4 Type, Main control valve body assy. (Basic 7A100) - typical	4328	58

100% SATISFACTION GUARANTEED

BUY IT NOW!

Click Here To Order

PayPal American Express Discover MasterCard VISA

Index, Alphabetical Order
1970 Mustang Part and Body Illustrations

Description	Number	Page
Transmission C4 Type, Servo and band, rear - typical	4329	59
Transmission C6 Type, Case, converter assy., extension, pump - typical	5172	76
Transmission C6 Type, Clutches, gears, shafts - typical	5173	77
Transmission C6 Type, Main control valve body assy. (Basic 7A100) - typical	5176	79
Transmission C6 Type, Parking pawl, throttle and manual control linkage - typical	5191	80
Transmission C6 Type, Servo and band - typical	5174	78
Transmission FMX type - Case, converter assy., extension, pump, rear support - typical	6462	112
Transmission FMX type - Clutches, gears, shafts, extension - typical	6463	113
Transmission FMX type - Main control valve body assy. (Basic 7A100) - typical	6466	116
Transmission FMX type - Oil pressure regulator assy. (Basic 7A139) - typical	6470	117
Transmission FMX type - Oil pressure tubes installation - typical	6472	119
Transmission FMX type - Parking pawl, throttle and manual control linkage - typical	6471	118
Transmission FMX type - Servo and band, front - typical	6464	114
Transmission FMX type - Servo and band, rear - typical	6465	115
Transmission Oil cooling system, automatic - typical	7041	192
Transmission, Manual, 3 Speed manual trans 3.03 type	4012	54
Transmission, Manual, Ford 4 speed	4424	64
Turn indicator - hood mounted	6964	180
Valves, push rods and rocker arm cover, 6 Cyl and 8 Cyl 260, 289,302,351,400,429,460	3726	46
Valves, push rods and rocker arm cover, 6 Cylinder	3089	35
Valves, push rods, and rocker arm cover – 390, 427, 428 CID Engine	2485	26
Ventilating Ducts	6977	182
Voltage Regulator (Ford 15 volt, negative ground)	5525	87
Water Pump - 8 cyl 390, 428 CID Engine	9198	252
Water Pump - 8 cyl. 351C, 400, 429, 460 engines	6492	122
Water Pumps, 6 cyl. - 200, 250 engines	2962	31
Water Pumps, 8 cyl. - 289, 302, 351W engine (with cover)	5143	75
Window parts - front door	6816	152
Window parts - quarter window - body type 63	6732	136
Window parts - quarter window - body type 65, 76	6733	137
Window parts - quarter window - body type 65	7179	202
Window parts - quarter window - body type 65	6740	140

100% SATISFACTION GUARANTEED

BUY IT NOW!

Click Here To Order

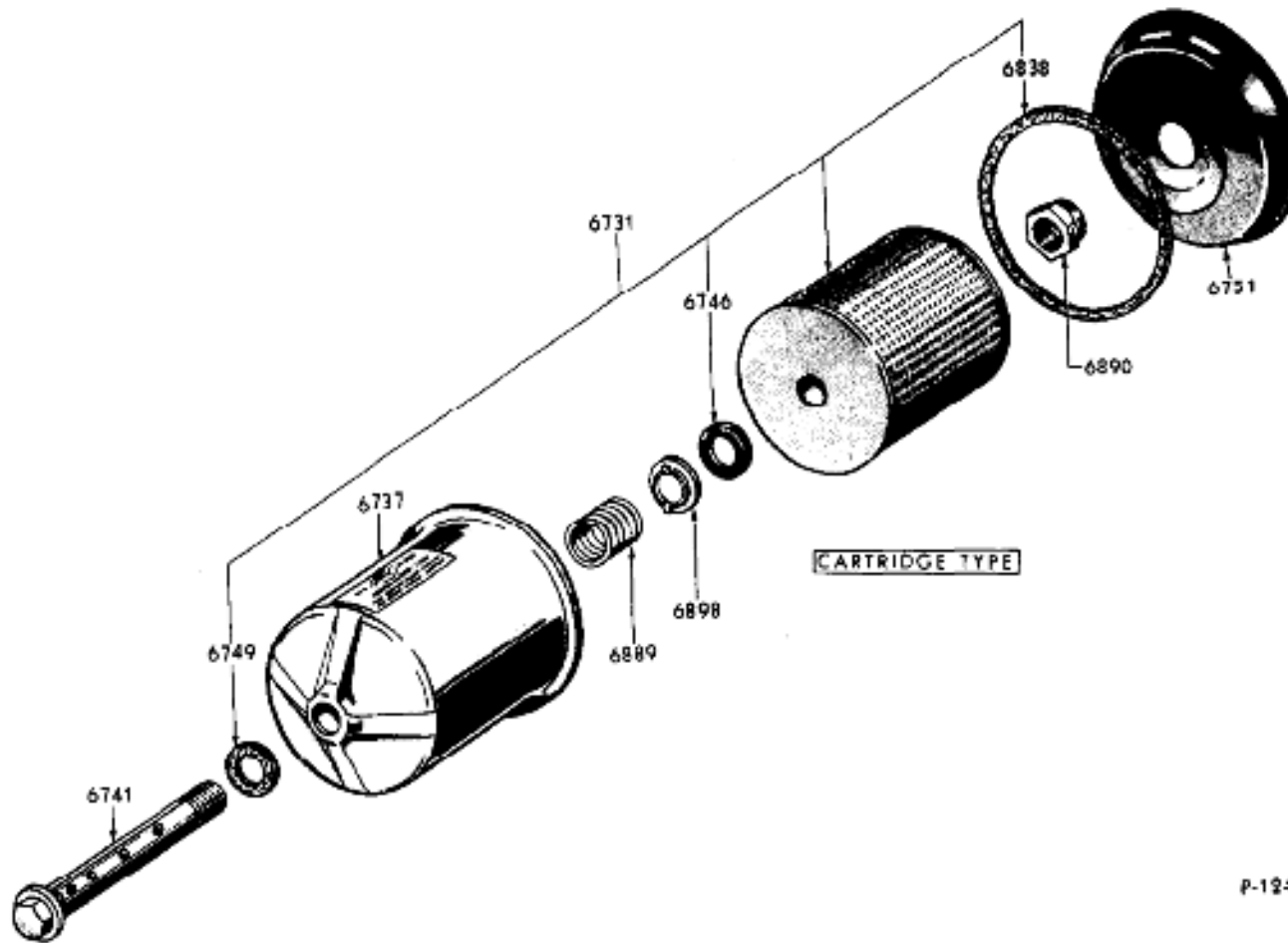
PayPal American Express Discover MasterCard VISA

Index, Alphabetical Order
1970 Mustang Part and Body Illustrations

Description	Number	Page
Windshield - body types 76	6741	141
Windshield Washer and wipers	6867	157
Windshield wiper - wiper motor (2 speed Ford electric)	11434	256
Windshield wiper and washer	6867-B	158
Wiring System - Typical - Page A	6996	188
Wiring System - Typical - Page B	7026	189



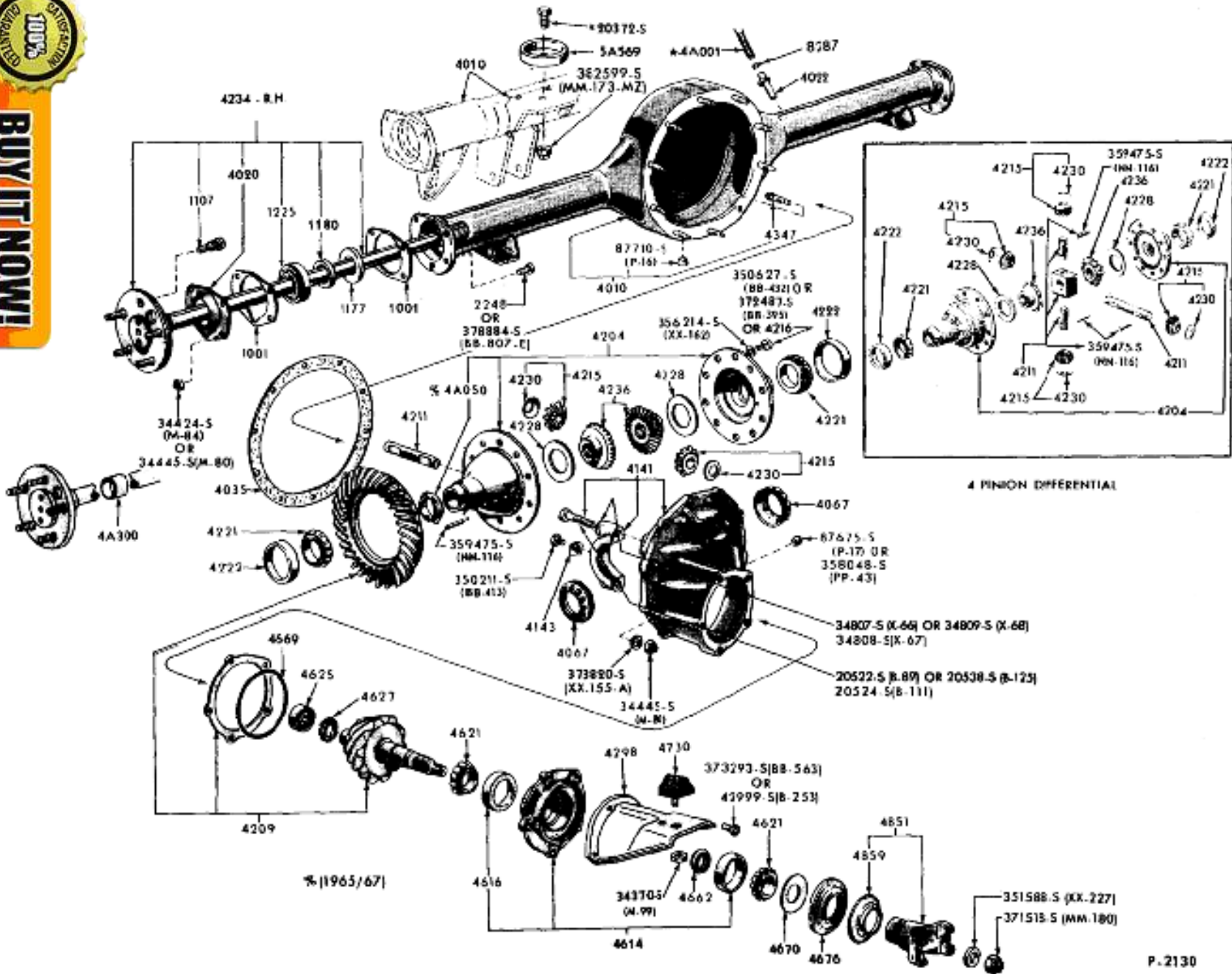

100% SATISFACTION GUARANTEED
BUY IT NOW!
 Click Here To Order



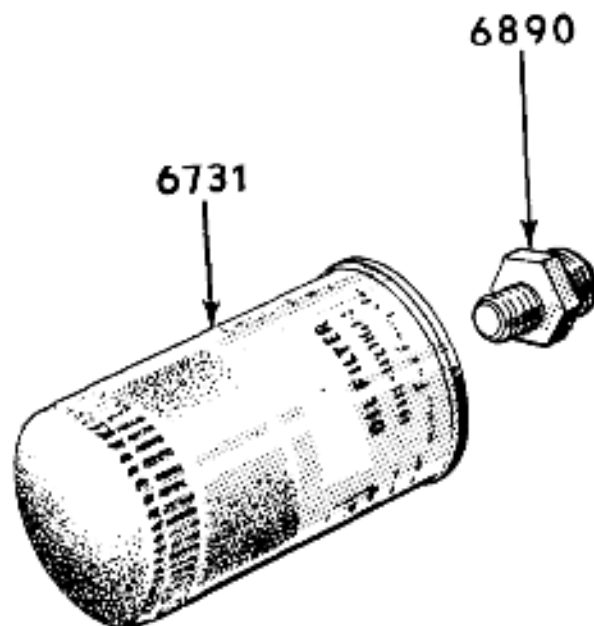
P-1246

ENGINE FILER AND RELATED PARTS - CARTRIDGE TYPE - TYPICAL
1965 / 72 6 CYLINDER 170, 200, 240, 250 AND 8 CYLINDER 260, 289, 302 AND 351

100% SATISFACTION GUARANTEED
 Buy It Now!
 Click Here To Order
 PayPal, Visa, MasterCard, American Express, Discover



REAR AXLE - NON LOCKING WITH SEPARATE CARRIER - TYPICAL
 7 3/4", 8", 8 3/4", 9" RING GEAR
 1966 / 72 BRONCO, 1965 / 72 FALCON, FAIRLANE/TORINO, FORD, MUSTANG
 1971 / 72 MAVERICK, 1965 / 67, 1970/72 THUNDERBIRD



P-2384

ENGINE FILTER AND RELATED PARTS - SPIN-ON TYPE - TYPICAL
1965 / 72 6 CYLINDER 170, 200, 240, 250 AND 8 CYLINDER 260, 289, 302, 351, 352, 390, 400, 427, 428, 429 AND 460



BUY IT NOW!

 Click Here To Order

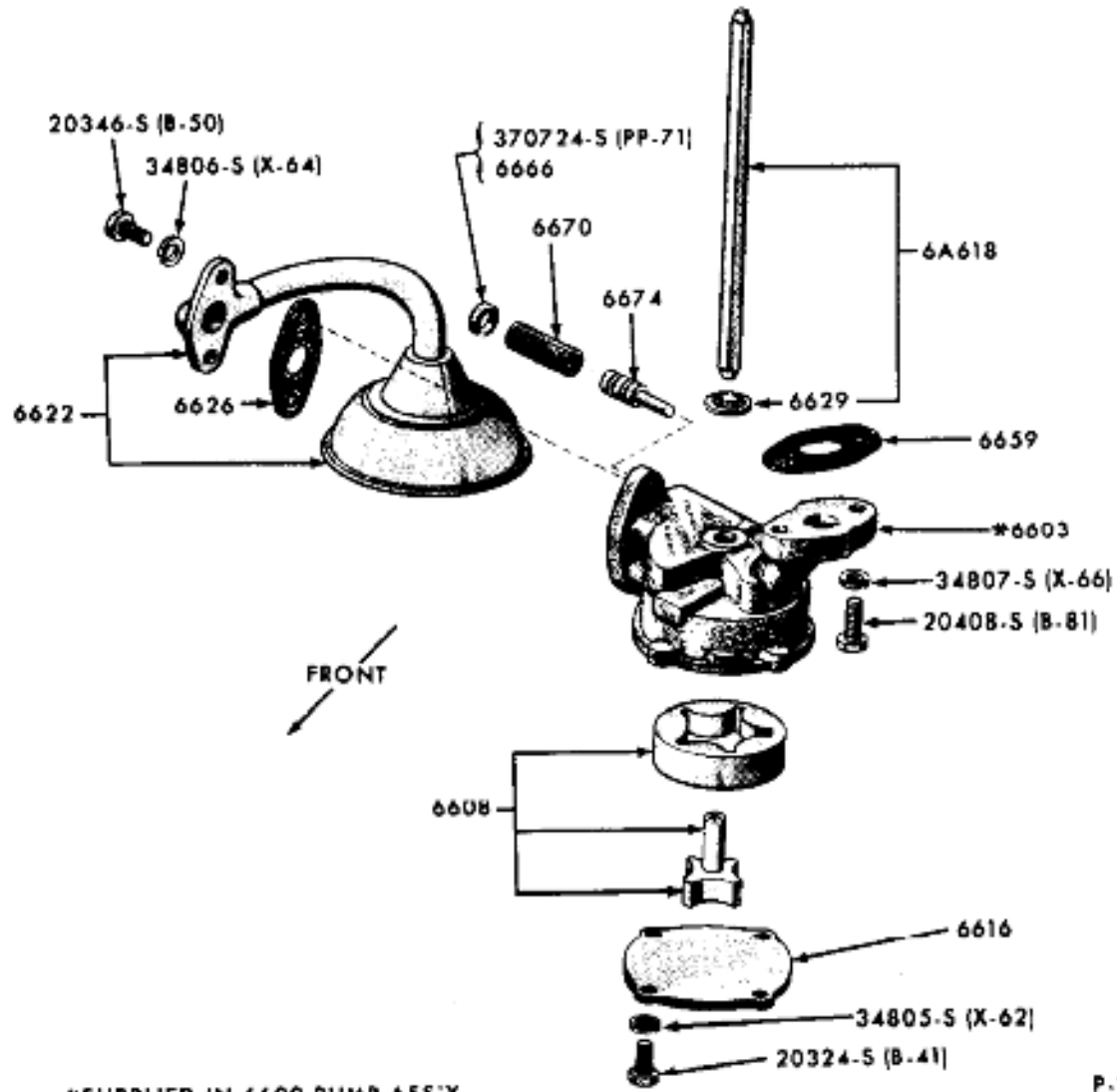
PayPal

 American Express

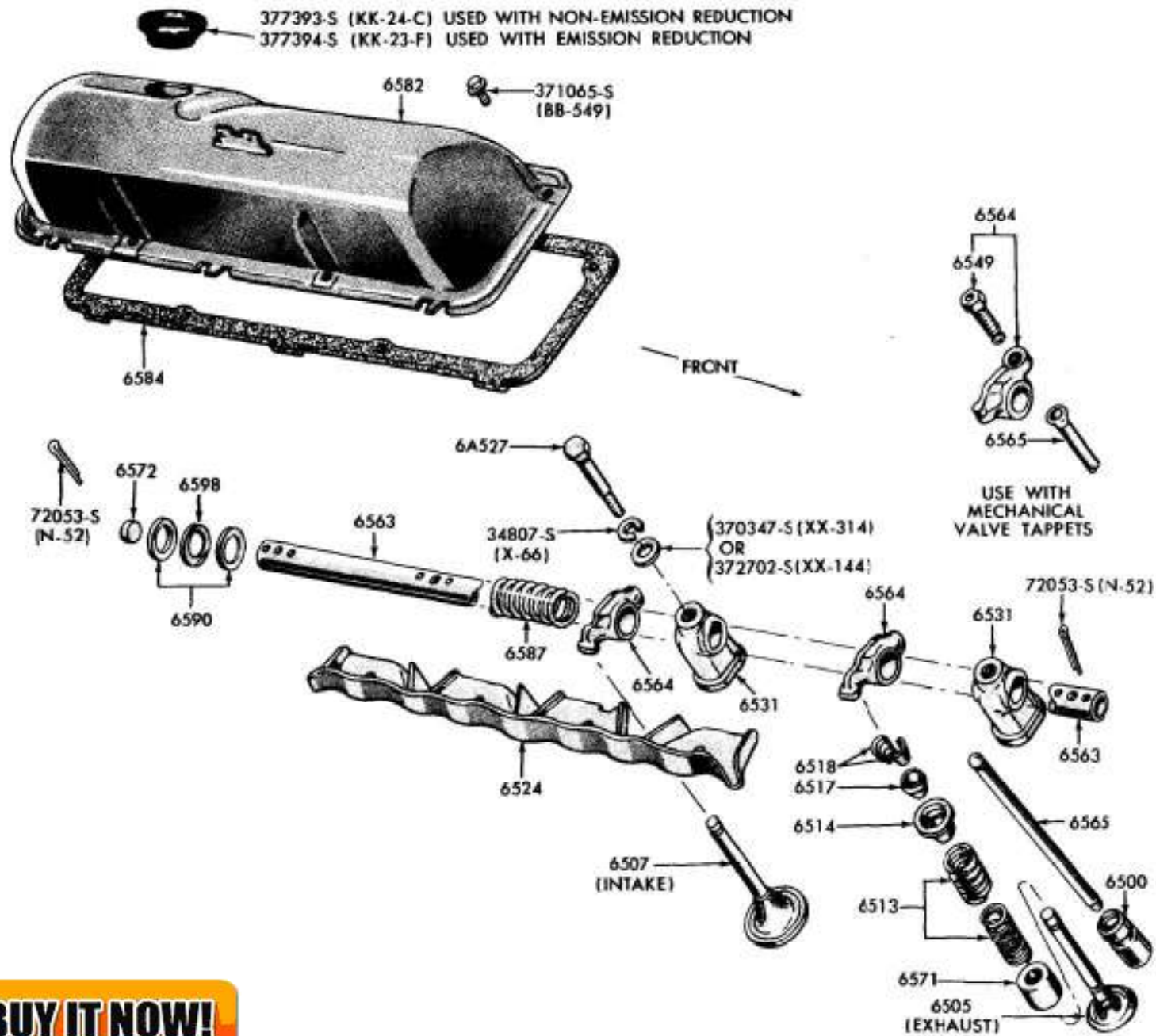
 Discover

 MasterCard

 VISA



ENGINE OIL PUMP AND RELATED PARTS -- TYPICAL
1965 / 71 8 CYLINDER 352, 390, 427 AND 428



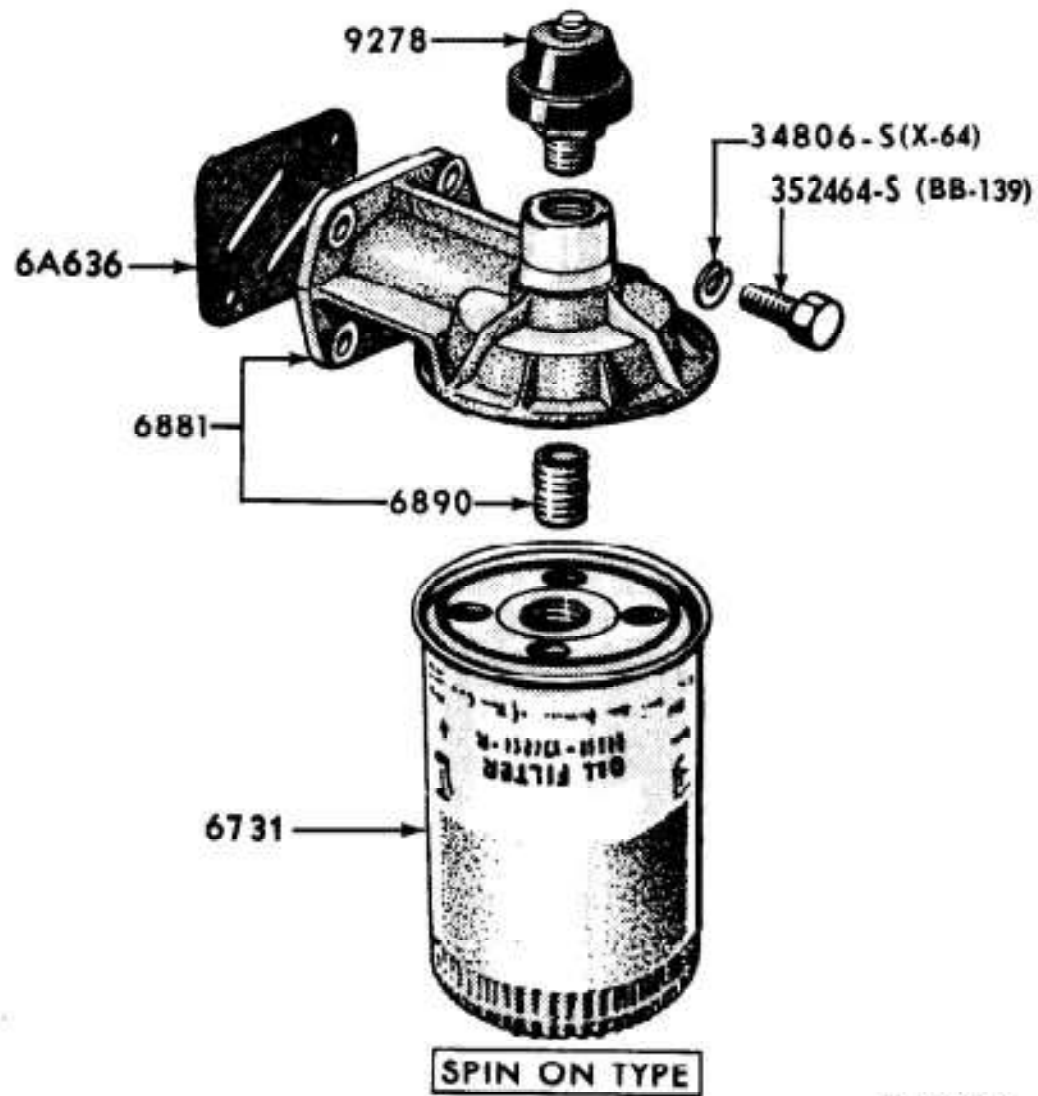
VALVES, PUSH RODS, ROCKER ARM COVER AND RELATED PARTS - TYPICAL
1965 / 71 8 CYLINDER 352, 390, 427 AND 428

100% SATISFACTION GUARANTEED

BUY IT NOW!

Click Here To Order

PayPal American Express Discover MasterCard VISA



P-2486

100% SATISFACTION GUARANTEED

BUY IT NOW!

Click Here To Order

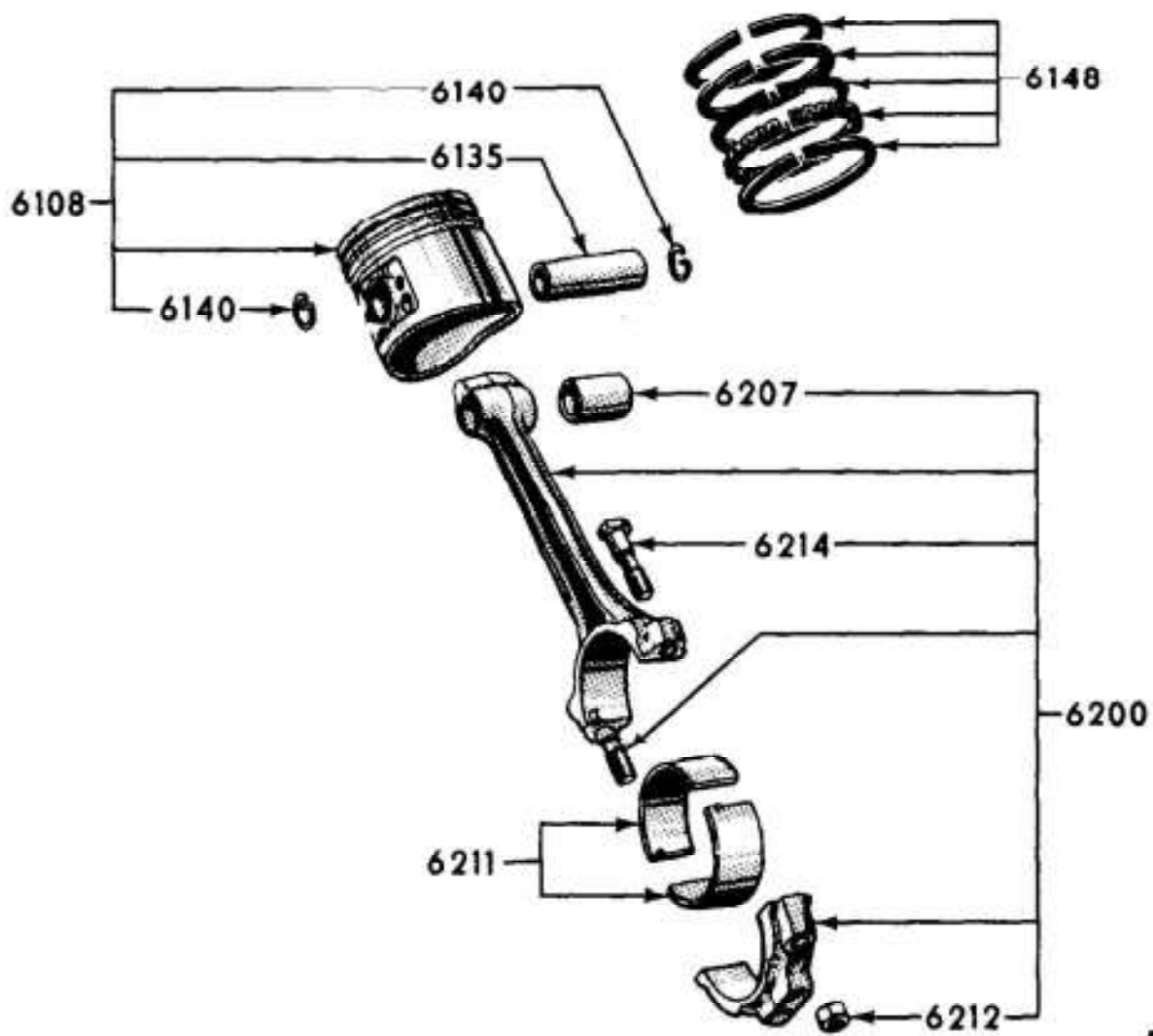
PayPal

Discover

MasterCard

VISA

ENGINE OIL FILTER, ADAPTER AND RELATED PARTS - TYPICAL
1965/ 8 CYLINDER 352, 390, 400, 427, 428 AND 429



P-2487

100% SATISFACTION GUARANTEED

BUY IT NOW!

Click Here To Order

PayPal

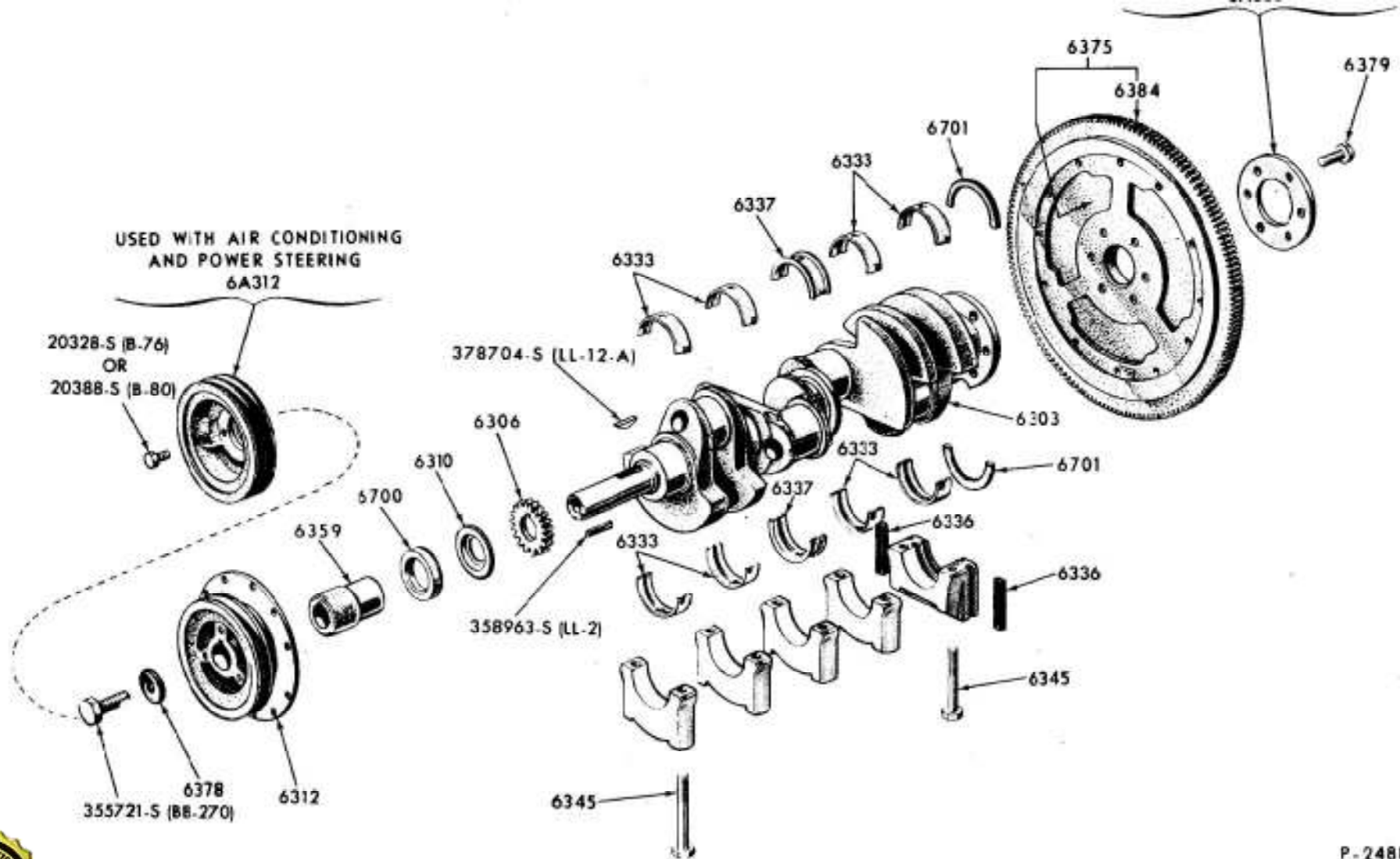
Discover

MasterCard

VISA

ENGINE PISTON, CONNECTION ROD AND RELATED PARTS - TYPICAL
1965 / 71 8 CYLINDER 352, 390, 427, AND 428

USED WITH
F/M, F/M2, AND C/M
TRANSMISSIONS ONLY
6A366



P-2488

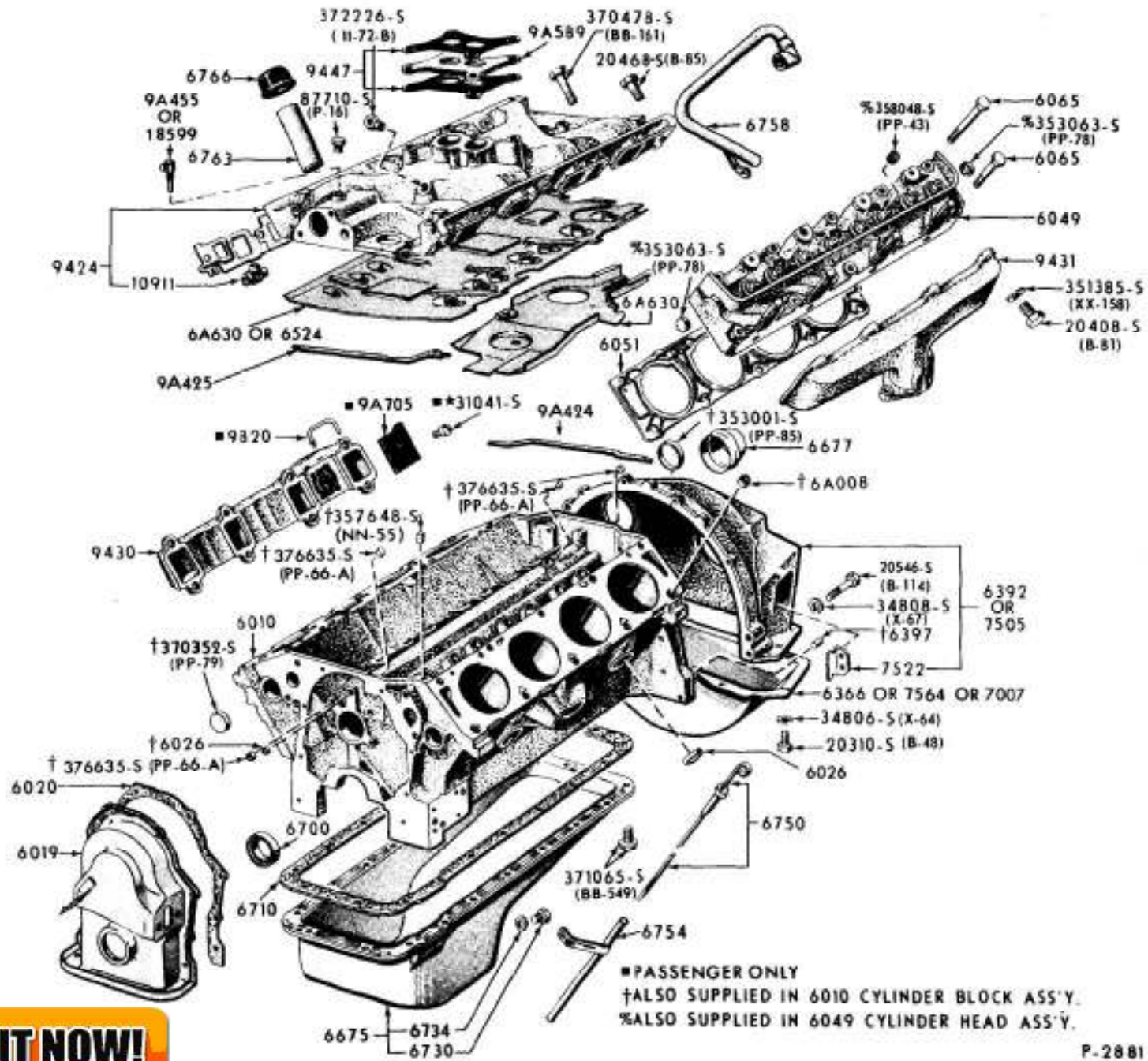
100% SATISFACTION GUARANTEED

BUY IT NOW!

[Click Here To Order](#)

PayPal Discover NetVISA MasterCard VISA

CRANKSHAFT, FLYWHEEL AND RELATED PARTS - TYPICAL
1965 / 71 8 CYLINDER 352, 390, 427 AND 428



P-2881

BUY IT NOW!
 Click Here To Order

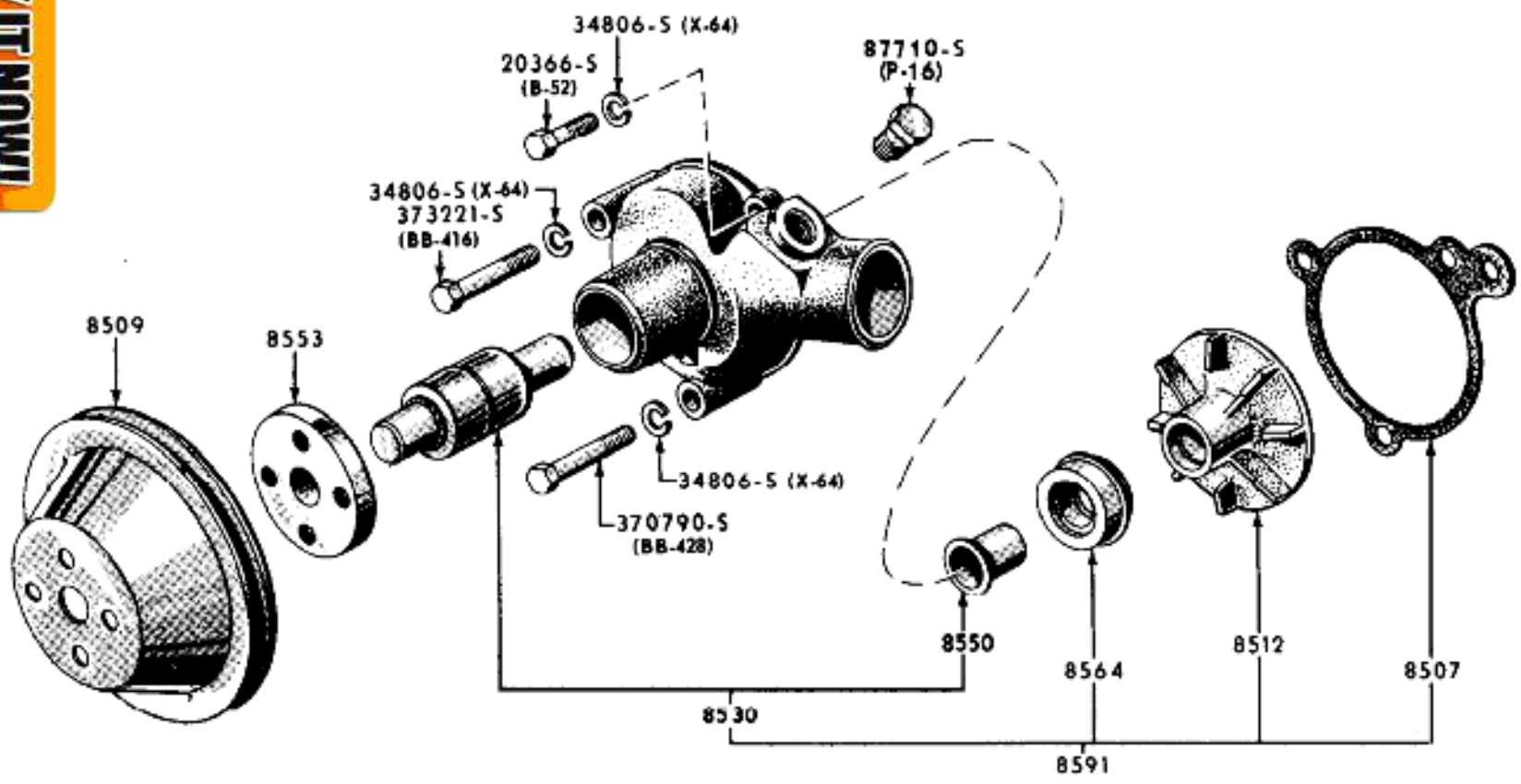
CYLINDER BLOCK AND RELATED PARTS
CYLINDER 352, 390, 427 AND 428 ENGINES TYPICAL
 1965 / 71





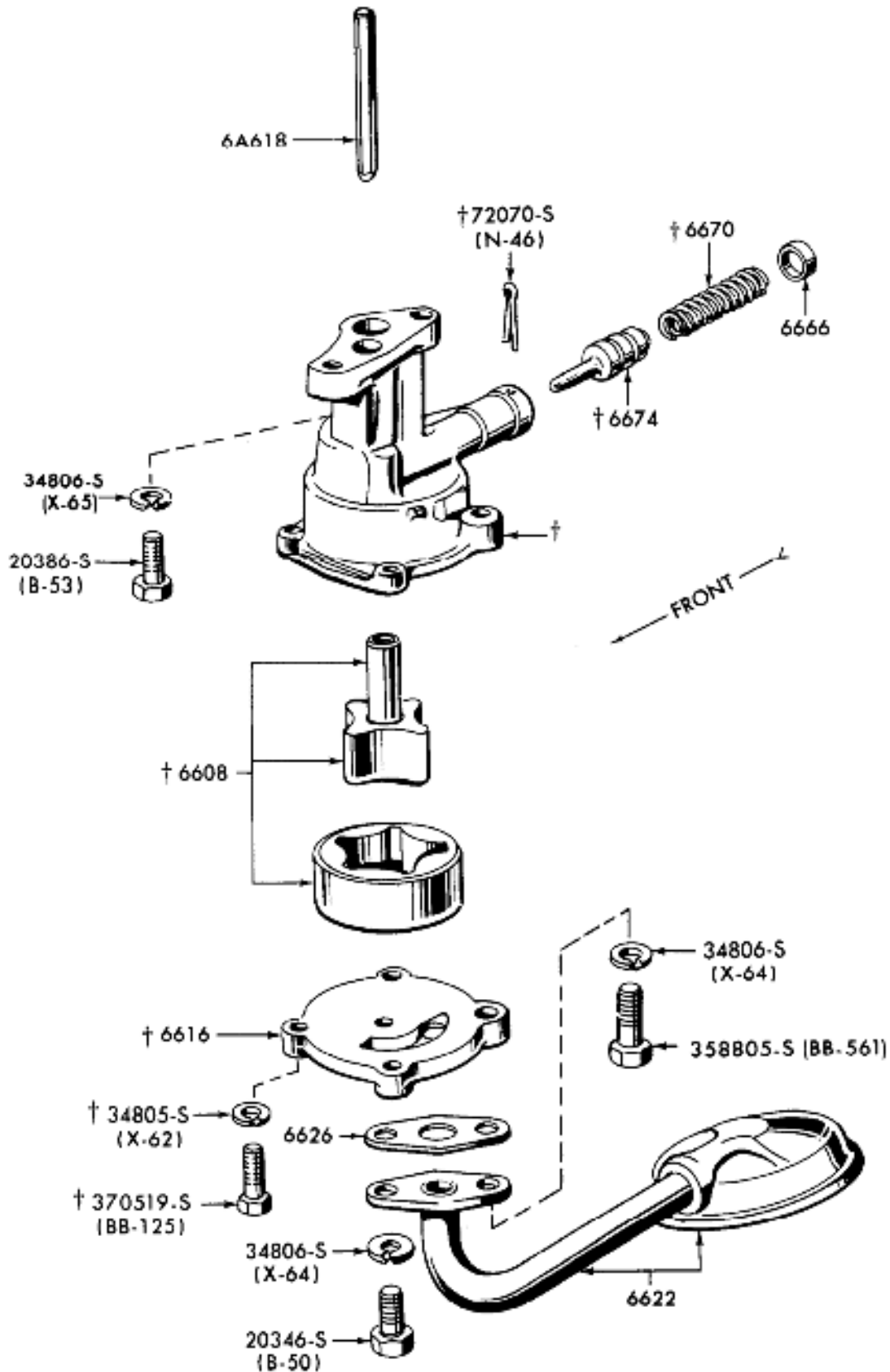


100% SATISFACTION GUARANTEED
BUY IT NOW!
 Click Here To Order



P-2962

WATER PUMP
 1965 / 72 6 CYLINDER 170, 200 AND 250



† SUPPLIED IN 6600 PUMP ASSEMBLY

P-2963



BUY IT NOW!

Click Here To Order



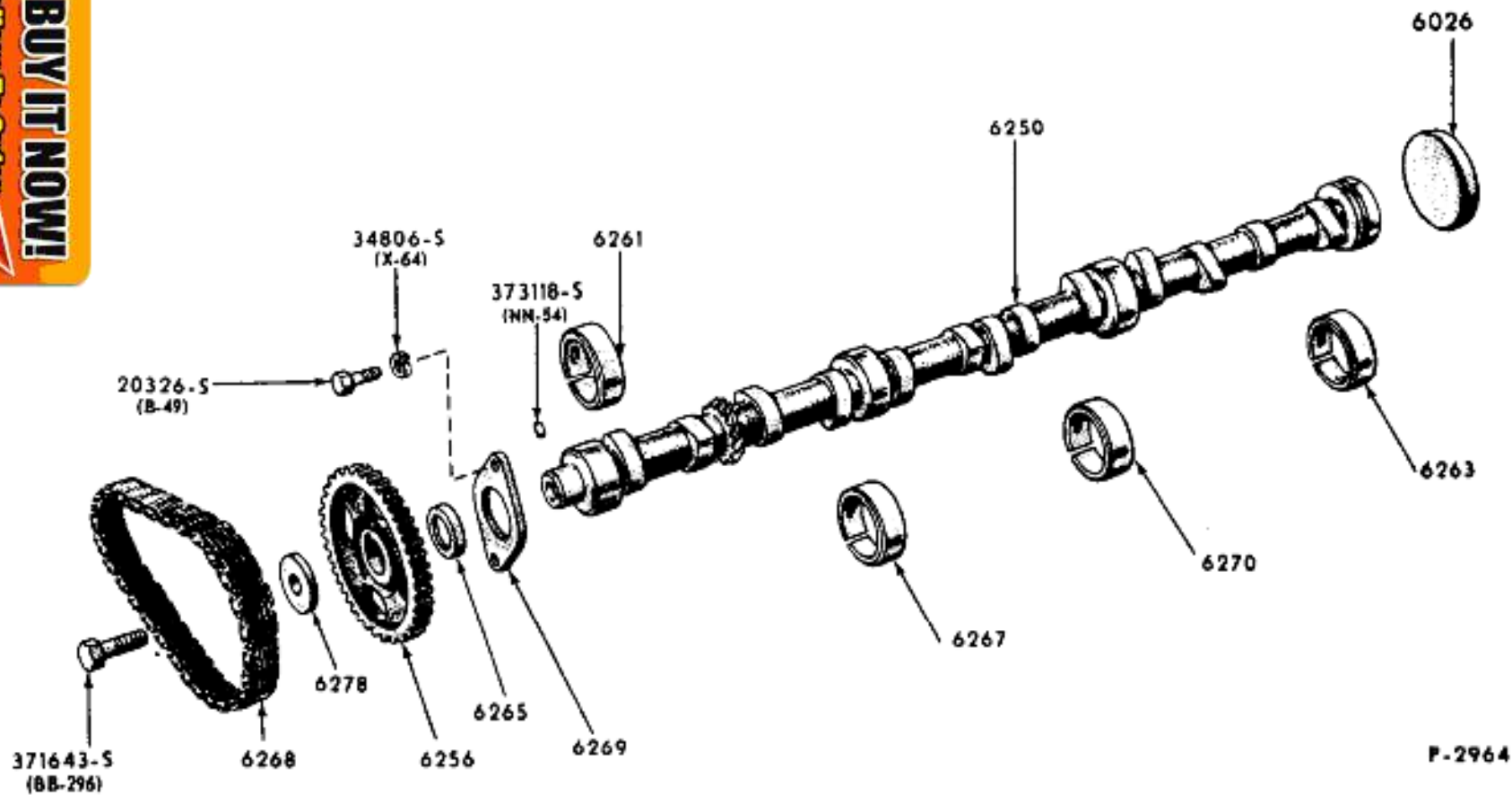
**PUMP AND RELATED PARTS -- TYPICAL
6 CYLINDER 170, 200 AND 250**





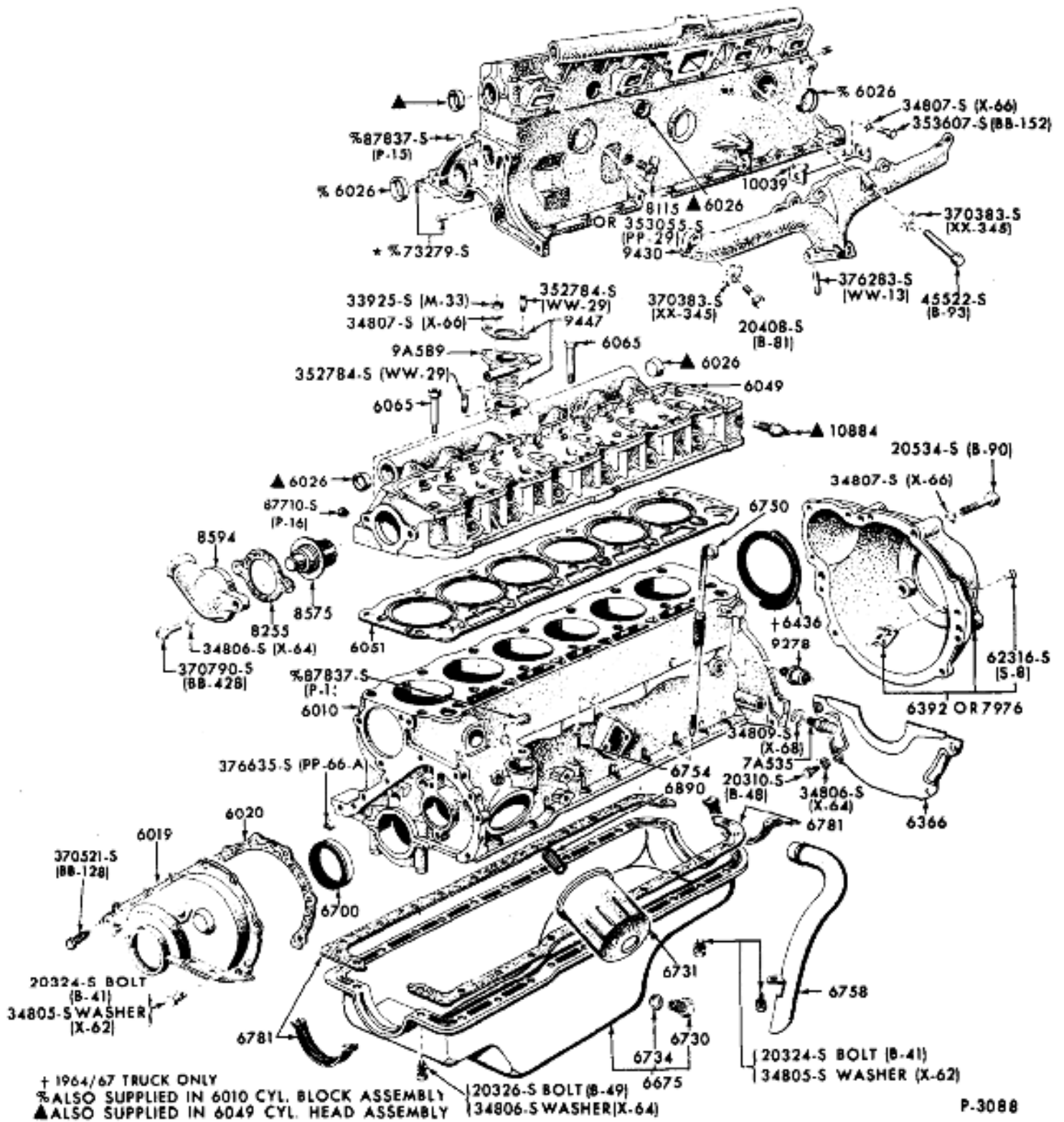


100% SATISFACTION GUARANTEED
BUY IT NOW!
 Click Here To Order



F-2964

ENGINE CAMSHAFT, GEAR, BEARINGS AND RELATED PARTS -- TYPICAL
1965 / 72 6 CYLINDER 170, 200 AND 250



100% SATISFACTION GUARANTEED
BUY IT NOW!
 Click Here To Order

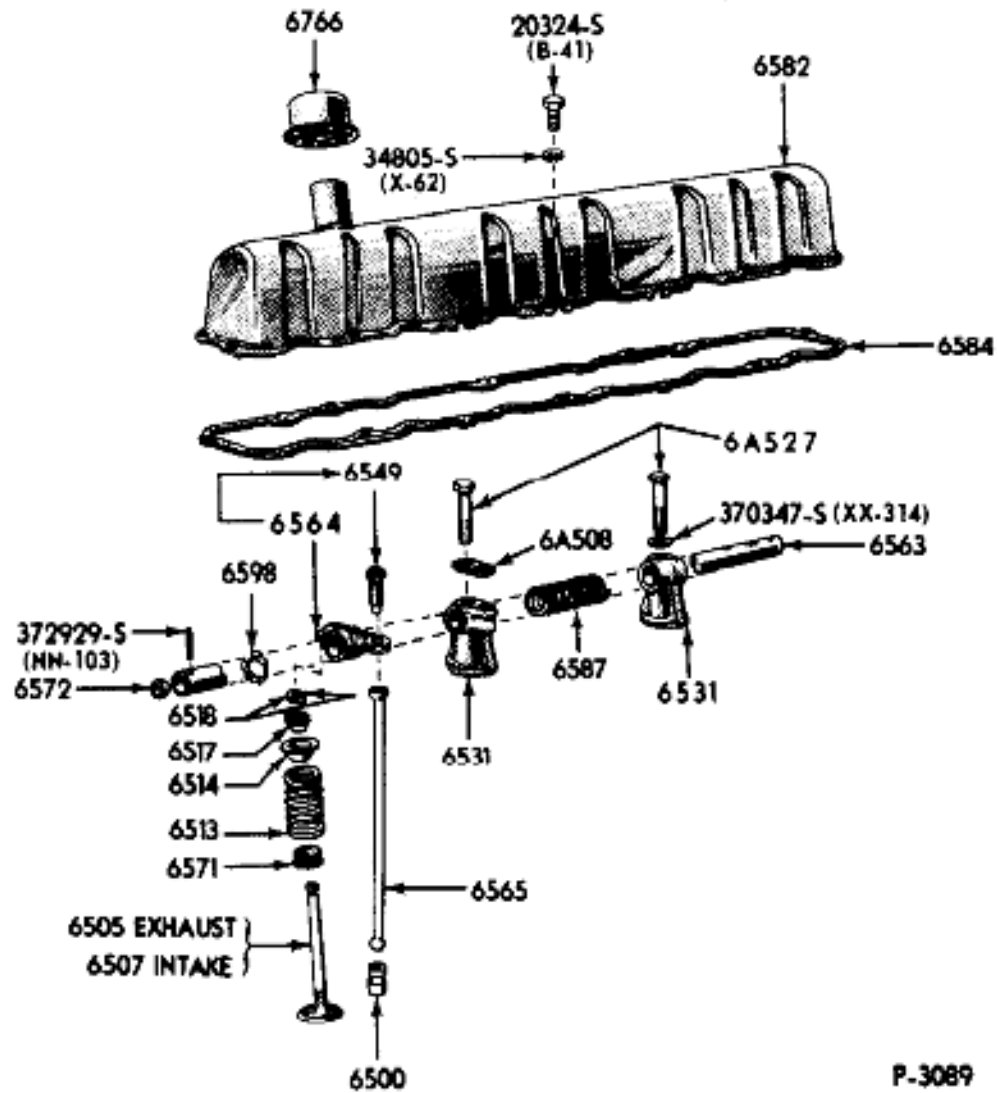
PayPal American Express Discover MasterCard VISA

CYLINDER BLOCK AND RELATED PARTS
FOR 170, 200 AND 250 ENGINES -- TYPICAL
1965 / 72

100% SATISFACTION GUARANTEED

BUY IT NOW!

[Click Here To Order](#)



ENGINE VALVES, PUSH RODS, ROCKER ARM COVER AND RELATED PARTS -- TYPICAL
1965/72 6 CYLINDER 170, 200 AND 250