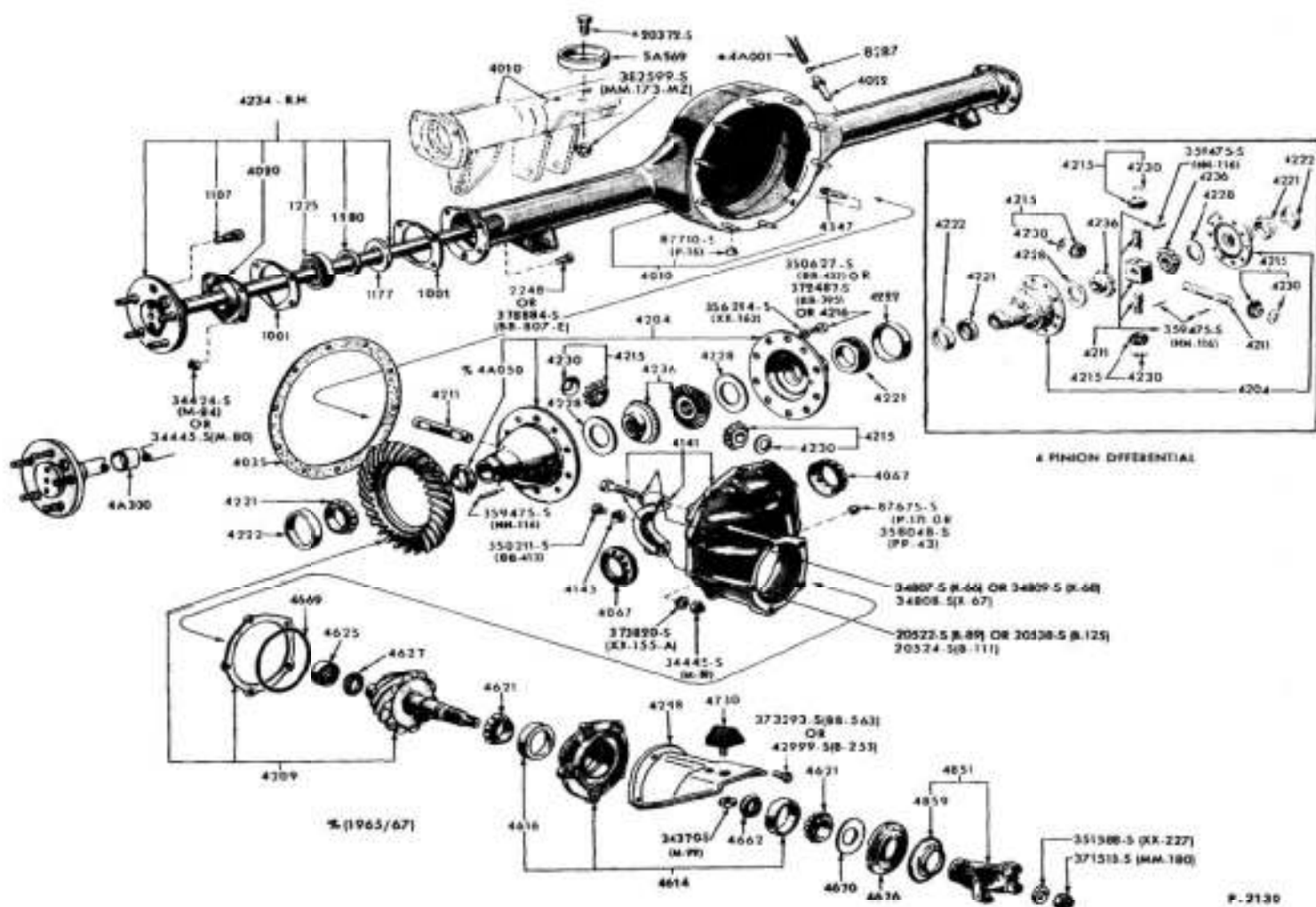


# 1973 Mustang

## Part & Body Illustrations



**100% SATISFACTION GUARANTEED**

**BUY IT NOW!**

Click Here To Order

PayPal, American Express, Discover, MasterCard, VISA

Copyright © 2009, Forel Publishing Company, LLC, Woodbridge, Virginia

All Rights Reserved. No part of this book may be used or reproduced in any manner whatsoever without written permission of Forel Publishing Company, LLC. For information write to Forel Publishing Company, LLC, 3999 Peregrine Ridge Ct., Woodbridge, VA 22192

1973 Mustang Part and Body Illustrations  
EAN: 978-1-60371-041-1  
ISBN: 1-60371-041-8

*Forel Publishing Company, LLC*  
*3999 Peregrine Ridge Ct.*  
*Woodbridge, VA 22192*  
*Email address: [webmaster@ForelPublishing.com](mailto:webmaster@ForelPublishing.com)*  
*Website: <http://www.ForelPublishing.com>*



This publication contains material that is reproduced and distributed under a license from Ford Motor Company. No further reproduction or distribution of the Ford Motor Company material is allowed without the express written permission of Ford Motor Company.

---

## Note from the Editor

This product was compiled using original Ford Motor Company publications. The contents of this product were extracted from: 1973/79 Ford Car Master Parts and Accessories Catalog (FPS-8094-A and FPS-8094-B).

---

## Disclaimer

Although every effort was made to ensure the accuracy of this book, no representations or warranties of any kind are made concerning the accuracy, completeness or suitability of the information, either expressed or implied. As a result, the information contained within this book should be used as general information only. The author and Forel Publishing Company, LLC shall have neither liability nor responsibility to any person or entity with respect to any loss or damage caused, or alleged to be caused, directly or indirectly by the information contained in this book. Further, the publisher and author are not engaged in rendering legal or other professional services. If legal, mechanical, electrical, or other expert assistance is required, the services of a competent professional should be sought.

---



# How this Manual is Organized

## Navigating with bookmarks

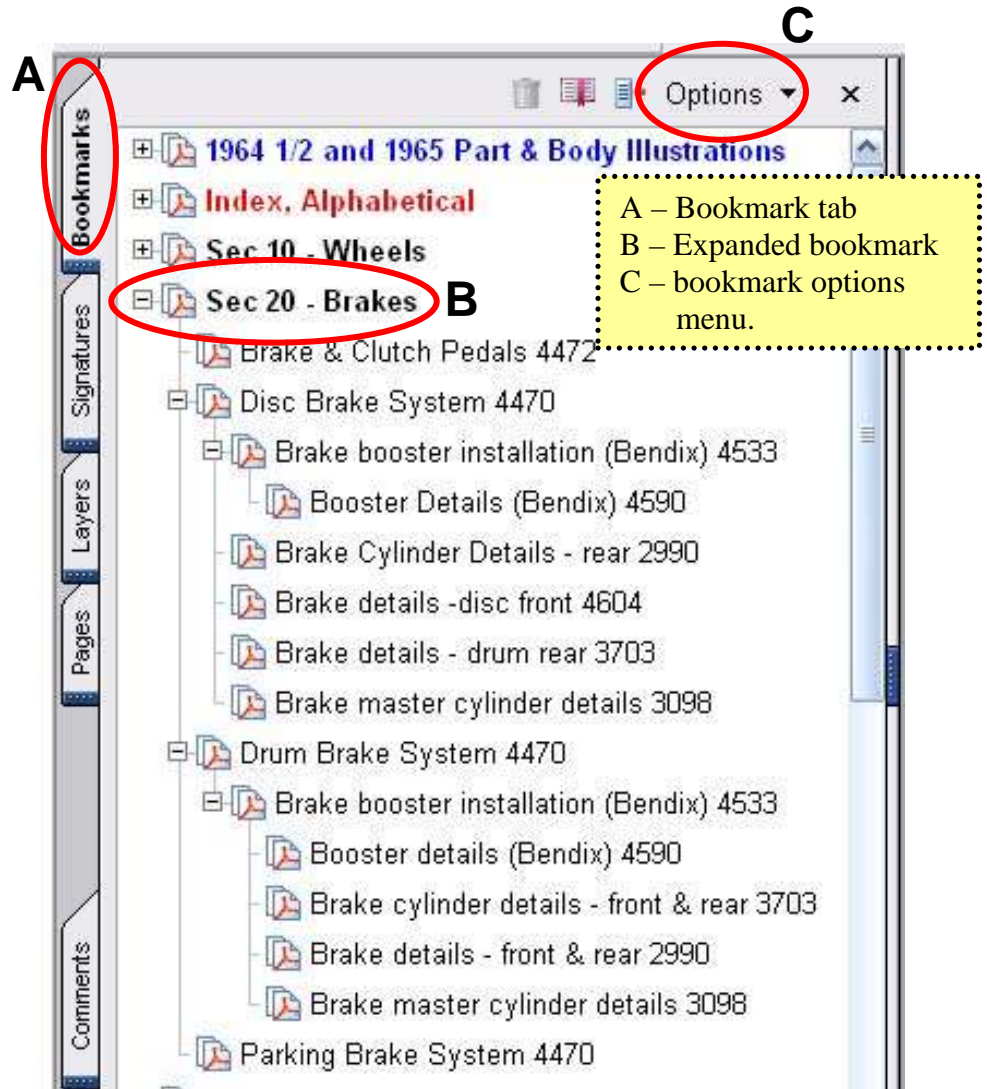
---

This manual is primarily organized using “bookmarks”. Bookmarks are found on the left side of the screen and allow the user to navigate directly to a specific location within the document.

To browse using a bookmark:

1. Click the Bookmarks tab on the left side of the window, or choose view>Navigation Tabs>Bookmarks to display bookmarks.
2. To jump to a topic using its bookmark, click the bookmark. Click the plus sign (+) next to a parent bookmark to expand it. Click the minus sign (-) next to a bookmark to hide its children.

Note: Clicking a bookmark might perform an action instead of taking you to another location. It depends on how the bookmark was defined. For example, a hyperlinked bookmark could take you to a website.



If the list of bookmarks disappears when you click a bookmark, click the Bookmarks tab to display the list again. If you want the Bookmarks tab to always remain open after you click a menu at the top of the Bookmarks panel, and make sure Hide After



## BUY IT NOW!

Click Here To Order



## Basic Manual Organization

---

This manual is organized in three ways: **Illustration Number, Groupings by Sections** and **Alphabetical**.

### Illustration Number:

Each illustration has its own illustration number. For example, the illustration for Brake & Clutch Pedals is illustration number “P-4472” and the illustration for the Brake Cylinder Details is “P-2990”. The pages of this book are arranged in illustration number order. Therefore, illustration 4473 would follow 2990.

**Note:** Illustrations are in numerical, not alphabetical order.

### Groupings by Sections:

The grouping of diagrams by “section” is similar to how the Ford Motor Company originally organized its Master Parts and Accessories Catalog which contained both illustrations and part numbers to identify parts. For example, **Section 20 Brakes** groups most brake related parts for this vehicle.

This manual uses bookmarks to follow that same organization and uses the same terms Ford used to identify the diagrams. In addition, the diagram number has been added to the end of the description. For example,

**Disc Brake System 4470** is the basic name of the diagram and the diagram number is 4470. For the bookmarks and index’s in this manual, the “P-“ has been omitted.

#### Sec 20 - Brakes

Brake & Clutch Pedals 4472  
Disc Brake System 4470  
    Brake booster installation (Bendix) 4533  
        Booster Details (Bendix) 4590  
Brake Cylinder Details - rear 2990  
Brake details -disc front 4604  
Brake details - drum rear 3703  
Brake master cylinder details 3098  
Drum Brake System 4470  
    Brake booster installation (Bendix) 4533  
        Booster details (Bendix) 4590  
    Brake cylinder details - front & rear 2990  
    Brake details - front & rear 2990  
    Brake master cylinder details 3098  
Parking Brake System 4470

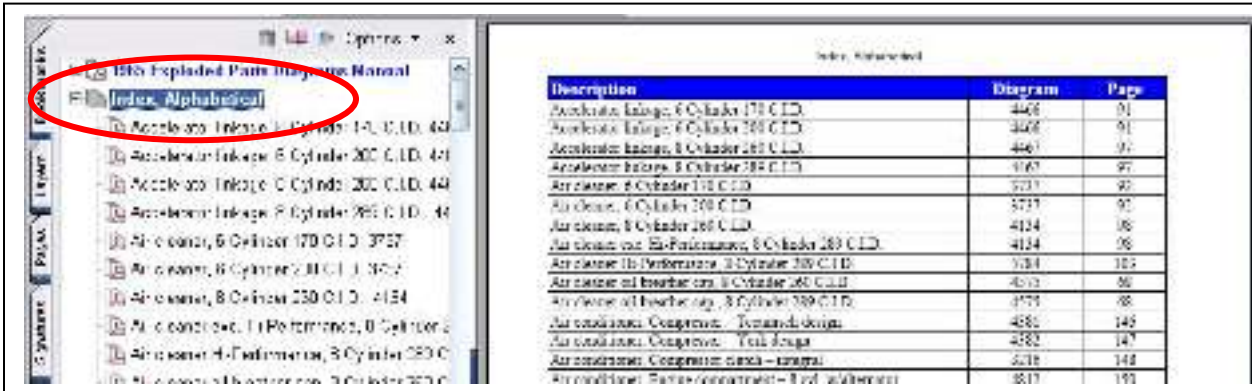
The grouping of diagrams by number is useful in finding most diagrams related to a major group.





## Alphabetical:

The alphabetical listing is a simple alphabetized listing of all diagrams. In some cases, if the diagram contained more than one major component, the diagram may be identified more than once. Expand the “Index, Alphabetical” bookmark to view details. The associated page contains the description, diagram number and page number for easy reference.



Description	Diagram	Page
Accelerator linkage, 6 Cylinder 170 C.I.D.	4468	91
Accelerator linkage, 6 Cylinder 200 C.I.D.	4468	91
Accelerator linkage, 6 Cylinder 289 C.I.D.	4461	91
Accelerator linkage, 8 Cylinder 289 C.I.D.	4167	97
Air cleaner, 6 Cylinder 170 C.I.D.	4131	92
Air cleaner, 6 Cylinder 200 C.I.D.	4131	92
Air cleaner, 6 Cylinder 289 C.I.D.	4124	98
Air cleaner, 8 Cylinder 289 C.I.D.	4124	98
Air cleaner II, Performance, 6 Cylinder 289 C.I.D.	4134	103
Air cleaner III, Performance, 8 Cylinder 289 C.I.D.	4134	103
Air cleaner of headlamp, 8 Cylinder 289 C.I.D.	4171	98
Air cleaner of headlamp, 8 Cylinder 389 C.I.D.	4171	98
Air conditioning, Compression - Toronado design	4881	149
Air conditioning, Compression - Ford design	4882	147
Air conditioning, Compression - integral	4818	148
Air conditioning, Turbo/Compressor - Ford design	4817	149

**Note:** Illustrations are in numerical, not alphabetical order.



**100% SATISFACTION GUARANTEED**

**BUY IT NOW!**

**Click Here To Order**

PayPal American Express Discover MasterCard VISA

Index, Numerical Order  
1973 Mustang Part and Body Illustrations

Number	Description	Page
2130	Rear Axle Non-Locking (separate carrier)	22
2384	Oil filters - spin-on type	23
2962	Water Pumps, 6 cyl. - 200, 250 engines	24
2963	Oil pump, 6 Cylinder 200, 250 C.I.D.	25
2964	Camshaft, gear and bearings, 6 Cylinder 200, 250 C.I.D.	26
3088	Cylinder block, 6 Cylinder 200, 250 C.I.D.	27
3089	Valves, push rods and rocker arm cover, 6 Cylinder	28
3090	Piston and connecting rod, 6 Cylinder 200, 250 C.I.D.	29
3118	Front and rear wheel, hub, & bearing	30
3144	Drive Shaft	31
3191	Starter and Drive Assy. Positive Engagement	32
3194	Electrical wire terminals	33
3216	Air conditioner, Compressor clutch (integral)	34
3703	Brake details - drum rear	35
3726	Valves, push rods and rocker arm cover, 6 Cyl and 8 Cyl 260, 289,302,351,400,429,460	36
3727	Cylinder head, valves, and related parts, 8 Cyl.	37
3732	Piston and connecting rod, 6 Cyl and 8 Cyl 260, 289,302,351,400,429,460 C.I.D.	38
3733	Camshaft, gear and bearings, 8 Cylinder 289 C.I.D.	39
3734	Crankshaft and flywheel, 8 Cylinder 289 C.I.D.	40
3736	Oil pump, 8 Cylinder 260, 289,302,351,400,429,460 C.I.D.	41
3906	Brake Cylinder Details - front & rear	42
4326	Transmission C4 Type, Case, converter assy., extension, pump - typical	43
4327	Transmission C4 Type, Clutches, gears, shafts, rear support - typical	44
4328	Transmission C4 Type, Servo and band, front - typical	45
4329	Transmission C4 Type, Servo and band, rear - typical	46
4330	Transmission C4 Type, Parking pawl, throttle and manual control linkage - typical	47
4381	Air conditioner, Compressor (Tecumseh design)	48
4382	Air conditioner, Compressor ( York design)	49
4507	Transmission C4 Type, Main control valve body assy. (Basic 7A100) - typical	50
4508	Alternator (Motorcraft - 38, 42, 45, 55, 61 amp)	51
4607	Steering, Manual steering gear assy.	52
4723	Steering Gear Details (Saginaw Design)	53
	...tic, bushings	54
	...el, 6 Cylinder 200, 250 C.I.D.	55
	...99, 302, 351W engine (with cover)	56



**BUY IT NOW!**

**Click Here To Order**



Index, Numerical Order  
1973 Mustang Part and Body Illustrations

Number	Description	Page
5172	Transmission C6 Type, Case, converter assy., extension, pump - typical	57
5173	Transmission C6 Type, Clutches, gears, shafts - typical	58
5174	Transmission C6 Type, Servo and band - typical	59
5176	Transmission C6 Type, Main control valve body assy. (Basic 7A100) - typical	60
5191	Transmission C6 Type, Parking pawl, throttle and manual control linkage - typical	61
5344	Wire Connection Sleeve Kits	62
5518	Brake Master Cylinder details	63
5615	Steering, Power steering pump details	64
5960	Suspension, Rear	65
6218	Brake Details, disc front	66
6440	Door Bumpers, rubber	67
6459	Rear Axle, Locking (Traction Lok)	68
6462	Transmission FMX type - Case, converter assy., extension, pump, rear support - typical	69
6463	Transmission FMX type - Clutches, gears, shafts, extension - typical	70
6464	Transmission FMX type - Servo and band, front - typical	71
6465	Transmission FMX type - Servo and band, rear - typical	72
6466	Transmission FMX type - Main control valve body assy. (Basic 7A100) - typical	73
6470	Transmission FMX type - Oil pressure regulator assy. (Basic 7A139) - typical	74
6471	Transmission FMX type - Parking pawl, throttle and manual control linkage - typical	75
6472	Transmission FMX type - Oil pressure tubes installation - typical	76
6492	Water Pump - 8 cyl. 351C, 400, 429, 460 engines	77
6794	Gear Shift Mechanism, Transmission - console or floor mtd - 3 speed trans.	78
6802	Transmission Automatic, Shift control selector mechanism, Automatic	79
6809	Headrest, Front Seat	80
6927	Suspension, Front	81
7040	Courtesy Lamp - pillar mounted	82
7041	Transmission Oil cooling system, automatic - typical	83
7063	Jack and Spare Wheel Parts	84
7078	AM Stereo Tape Player, AM/FM Multiplex Radio with speakers - integral	85
7183	Pressure Release Vent - Quarter	86
7295	Carburetor - Carter RBS (6 cyl. 250 CID engine)	87
7364	Steering, Power Steering Pump Installation	88
	Rack, Luggage Cover - Luggage Compartment Mounted	89
	nt trim	90
	rimum handling stabilizer bar	91

**100% SATISFACTION GUARANTEED**

**BUY IT NOW!**

**Click Here To Order**

PayPal American Express Discover MasterCard VISA

Index, Numerical Order  
1973 Mustang Part and Body Illustrations

Number	Description	Page
7499	Gear Shift Mechanism - Hurst Floor Mounted - 4 Speed Manual Transmission	92
7513	Steering Wheel - 2 spoke - pad blow	93
7741	Air Conditioner - engine compartment - integral 6 cyl. 200, 250 CID	94
7742	Air Conditioner - Engine Compartment 8 cyl. Integral, 302, 351 CID	95
7802	Handles and latch parts (front door) - manual	96
7824	Window parts (front door)	97
7846	Window parts - stationary - (quarter) - body type 63	98
7847	Window parts - moveable - (quarter) - body type 63, 65, 76	99
7859	Exterior Mouldings, Body Types 63D, 65 And 76 - Side Protection	100
7860	Exterior Mouldings, Body Types 63R - Side	101
7861	Exterior Mouldings, Body Types 63D, 65D, F, 76 - Back End	102
7862	Exterior Mouldings, Body Types 63R - Back End	103
7877	Sheet Metal - body types 63, 65 - under body	104
7878	Sheet Metal - body types 75 - under body	105
7879	Sheet Metal - body types 63 - upper body	106
7880	Sheet Metal - body types 65 - upper body	107
7882	Sheet Metal - body types 76 - upper body	108
8047	Seat, Front Seat Back Latch Mechanism - Automatic - center	109
8051	Windshield - body types 63, 65	110
8052	Console (floor)	111
8053	Interior Trim Parts - body type 63 - w/fixed rear seat	112
8054	Interior Trim Parts - body type 63 - w/folding rear seat	113
8055	Interior Trim Parts - body type 65	114
8056	Interior Trim Parts - body type 76	115
8057	Consolette and related parts	116
8059	Windshield - body type 76	117
8075	Seat, Front Seat Mechanism - lower half	118
8076	Seat, Front Seat Mechanism - upper half (manual)	119
8086	Sheet Metal, Hood	120
8093	Sheet Metal, Fender and Apron Sheet Metal	121
8098	Lamp, Rear, Backup, License Plate and Body Side Marker	122
8112	Spoiler - luggage compartment door	123
	...er and Manual)	124
	...	125
	...tem	126

**100% SATISFACTION GUARANTEED**

**BUY IT NOW!**

**Click Here To Order**

PayPal American Express Discover MasterCard VISA



Index, Numerical Order  
1973 Mustang Part and Body Illustrations

Number	Description	Page
8142	Brakes, Drum Brake System	127
8143	Brakes, Parking Brake System	128
8144	Clutch and Clutch Pedal	129
8205	Instrument Cluster and related parts	130
8206	Wiring System - instrument panel	131
8210	Instrument Panel	132
8211	Instrument Panel Pad and attaching parts	133
8225-A	Folding Top Parts - less trim - body type 76	134
8225-B	Folding Top Parts - less trim - body type 76 (cont.)	135
8293	Air Conditioner - vacuum hoses - integral - 6 cyl.	136
8293-A	Air Conditioner - vacuum hoses - integral - 8 cyl.	137
8300	Air Conditioner - controls - integral	138
8301	Air Conditioner - passenger compartment - integral	139
8302	Heater and controls	140
8322	Intake Manifold - 8 cyl. 351 CID	141
8372	Engine Assembly - 351 CID	142
8387	Windshield Wiper	143
8388	Windshield Washer	144
8398	Engine assembly, 6 Cylinder 200, 250 C.I.D.	145
8406	Wiring System (Page A)	146
8408	Rocker arm cover type-closed system, 6 Cylinder 200, 250	147
8410	Wiring System (Page C)	148
8411	Wiring System (Page B)	149
8426	Convertible Top Electrical System	150
8429	Warning Indicator System - safety convenience	151
8431	Window, back - Heated (defroster)	152
8534	Seat, Front seat back latch mechanism - automatic - outboard	153
8571	Exterior Mouldings, Body Types 65 - Roof And Back Belt	154
8641	Mirror, remote control - rect. - L.H.	155
8847	Air Conditioner Evaporator Parts - Passenger Compartment - Hang-on	156
8853	Air Conditioner - Engine Compartment 6 cyl. w/ hang-on	157
8855	Air Conditioner - Engine Compartment 8 cyl. w/ hang-on 351 CID	158
	Air Conditioner - Engine Compartment 8 cyl. w/ hang-on 302 CID	159
	Air Conditioner - Passenger Compartment, Deluxe Hang-on	160
	Air Conditioner - Passenger Compartment, Economy Hang-on	161

**100% SATISFACTION GUARANTEED**

**BUY IT NOW!**

**Click Here To Order**

PayPal American Express Discover MasterCard VISA

Index, Numerical Order  
1973 Mustang Part and Body Illustrations

Number	Description	Page
8882	Air Conditioner Condensor, Dehydrator and related parts	162
8882-A	Air Conditioner Condensor, Dehydrator and related parts	163
9084	Carburetor - Ford 2/B	164
9106	Ventilating Ducts	165
9126	Air Cleaner - 8 Cyl. 2/B	166
9127	Air Cleaner - 8 Cyl. 4/B	167
9199	Roof Side Moulding and weatherstrips - body type 65	168
9266	Seat Belt Warning System	169
9288	Distributor - Single Point (8 Cylinder)	170
9881	Transmission, Manual 4 Speed, Ford Design	171
9882	Transmission, Manual 3 Speed, 3.03	172
10061	Exterior Mouldings, Door Edge Guards	173
10072	Bumper, rear	174
10092	Headlamp, parking and front fender side marker	175
10104	Air Cleaner, 250 CID	176
10152	Radiator Grille - body type 63R	177
10153	Radiator Grille - body types 63D, 65D, F, 76	178
10156	Bumper, front	179
10159	Latch Parts (Luggage Compartment)	180
10198	Window Regulator	181
10207	Instrument Cluster, Auxiliary - w/gauges	182
10285	Accelerator Linkage, 250 CID engine	183
10286	Accelerator Linkage, 302 CID engine	184
10288	Steering, Power Steering Pump Installation, 8 cyl engines	185
10328	Alternator (Motorcraft 15 volt 70 amp)	186
10347	Crankcase ventilation system, 351 CID- 4/B	187
10350	Crankcase ventilation system	188
10429	Emission System - exhaust gas recirculation (E.G.R.) - 250 with A/T	189
10430	Emission System - exhaust gas recirculation (E.G.R.) - 250 with M/T	190
10433	Emission System - exhaust gas recirculation (E.G.R.)	191
10436	Emission System - exhaust gas recirculation (E.G.R.) - 351C-2/B, 351-4/B with A/T	192
10437	Emission System - exhaust gas recirculation (E.G.R.) - 351-4/B with M/T	193
	Luggage Compartment	194
	250 engines)	195
	acing - L.H.	196

**100% SATISFACTION GUARANTEED**

**BUY IT NOW!**

**Click Here To Order**

PayPal American Express Discover MasterCard VISA

Index, Numerical Order  
1973 Mustang Part and Body Illustrations

Number	Description	Page
10471	Mirror, manual - rect.	197
10472	Mirror, trailer towing - fender	198
10473	Mirror, trailer towing - door	199
10542	Door Trim Panels	200
10590	Distributor - Dual Point (8 Cylinder)	201
10685	Steering Wheel - 3 spoke - rim blow - w/o cover	202
10784	Engine Supports, front and rear	203
10785	Engine Supports, front and rear	204
10792	Carburetor - Ford 4/B	205
10805	Mirror, manual - racing -R.H.	206
11434	Windshield wiper - wiper motor (2 speed Ford electric)	207
11536	Child safety seat	208
11677	Moulding retainers AA - AR	209
11678	Moulding retainers AS - BH	210
11679	Moulding retainers BJ - BZ	211
11680	Moulding retainers CA - CR	212
11681	Moulding retainers CS - DH	213
11682	Moulding retainers DJ - DZ	214
11683	Moulding retainers EA - ER	215
11684	Moulding retainers ES - FH	216
11685	Moulding retainers FJ - FZ	217
11686	Moulding retainers GA - GR	218
11690	Moulding retainers GS - HH	219
11691	Moulding retainers HJ - HZ	220
11692	Moulding retainers JA - JR	221
11693	Moulding retainers JS - KH	222
11694	Moulding retainers KJ - KZ	223
11695	Moulding retainers LA - LR	224
11696	Moulding retainers LS - MH	225
11807	Exterior Mouldings, Body Type 63R - Stripes	226
11808	Exterior Mouldings, Body Type 63E, 65 And 76 - Side	227
11809	Exterior Mouldings, Body Type 65D, F and 76 - Stripes	228
	Exterior Mouldings, Body Type 76 - Back Belt Mouldings	229
	Exterior Mouldings, Body Type 76 - Side	230
	Exterior Mouldings, Body Type 76 - NR	231

**SATISFACTION 100% GUARANTEED**

**BUY IT NOW!**

**Click Here To Order**

PayPal American Express Discover MasterCard VISA

Index, Numerical Order  
1973 Mustang Part and Body Illustrations

Number	Description	Page
12041	Moulding retainers NS - PH	232
12237	Speed Control - dealer installed	233
12324	Exterior Mouldings, Body Type 63 - W/ Half Vinyl Roof	234
12368	Moulding retainers PJ - RA	235
12369	Moulding retainers RB - RS	236
12373	Cooling Systems, 8 cyl. 351 CID Engine	237
12376	Cooling Systems, 8 cyl. 302 CID Engine	238
12377	Cooling Systems, 6 cyl. 250 CID Engine	239
12462	Exterior Mouldings, Body Type 63 - Back Window	240
12463	Exterior Mouldings, Body Type 65 - Back Window	241
12524	Exterior Mouldings, Windshield	242
12637	Steering Column - floor shift - fixed wheel	243
12638	Steering Column - floor shift - tilt wheel	244
12925	Air Horn Installation	245
12986	Moulding retainers RT - SK	246
12987	Moulding retainers SL - TB	247
12988	Moulding retainers TC - TT	248
13004	Handles and latch parts (front door) - anti-theft alarm system	249
13023	Sun Visor, vanity mirror and rear view mirror	250
13272	Moulding retainers TU - UK	251
13273	Moulding retainers UL - VB	252
13274	Moulding retainers VC - VS	253
13391	Heater and Controls, hose installation - 6 cyl.	254
13393	Heater and Controls, hose installation - 8 cyl.	255
13686	Window, back	256
14214	Moulding retainers VT -WJ	257
14215	Moulding retainers WK - XA	258
14371	Speedometer cable	259
14424	Sheet metal - hood - insulator	260
15052	Moulding retainers XB - XS	261
15053	Moulding retainers XT - YJ	262
15054	Moulding retainers YK - ZA	263
	AB - ZN	264
	al (Cleveland)	265
	(Cleveland)	266

**100% SATISFACTION GUARANTEED**

**BUY IT NOW!**

**Click Here To Order**

PayPal American Express Discover Mastercard VISA



Index, Numerical Order  
1973 Mustang Part and Body Illustrations

Number	Description	Page
16387	Cylinder block, external (Windsor)	267
16388	Cylinder block, internal (Windsor)	268
EA-46	Exhaust System, Single - 6 cyl., 250-1B	269
EA-47	Exhaust System, Single - 8 cyl., 302-2B	270
EA-48	Exhaust System, Dual - 8 cyl., 351-4B	271
EA-49	Exhaust System, Single - 8 cyl., 351-2B	272
EA-50	Exhaust System, Dual - 8 cyl., 351-4B, w/3.25 rear axle ratio, 4 speed M/T	273



Index, Alphabetical Order  
1973 Mustang Part and Body Illustrations

Description	Number	Page
Accelerator Linkage, 250 CID engine	10285	183
Accelerator Linkage, 302 CID engine	10286	184
Air Cleaner - 8 Cyl. 2/B	9126	166
Air Cleaner - 8 Cyl. 4/B	9127	167
Air Cleaner, 250 CID	10104	176
Air Conditioner - controls - integral	8300	138
Air Conditioner - engine compartment - integral 6 cyl. 200, 250 CID	7741	94
Air Conditioner - Engine Compartment 6 cyl. w/ hang-on	8853	157
Air Conditioner - Engine Compartment 8 cyl. Integral, 302, 351 CID	7742	95
Air Conditioner - Engine Compartment 8 cyl. w/ hang-on 302 CID	8856	159
Air Conditioner - Engine Compartment 8 cyl. w/ hang-on 351 CID	8855	158
Air Conditioner - passenger compartment - integral	8301	139
Air Conditioner - vacuum hoses - integral - 6 cyl.	8293	136
Air Conditioner - vacuum hoses - integral - 8 cyl.	8293-A	137
Air Conditioner Condensor, Dehydrator and related parts	8882	162
Air Conditioner Condensor, Dehydrator and related parts	8882-A	163
Air Conditioner Evaporator Parts - Passenger Compartment - Hang-on	8847	156
Air conditioner, Compressor ( York design)	4382	49
Air conditioner, Compressor (Tecumseh design)	4381	48
Air conditioner, Compressor clutch (integral)	3216	34
Air Conditioning (Passenger Compartment), Deluxe Hang-on	8880	160
Air Conditioning (Passenger Compartment), Economy Hang-on	8881	161
Air Horn Installation	12925	245
Alternator (Motorcraft - 38, 42, 45, 55, 61 amp)	4508	51
Alternator (Motorcraft 15 volt 70 amp)	10328	186
AM Stereo Tape Player, AM/FM Multiplex Radio with speakers - integral	7078	85
Brake Cylinder Details - front & rear	3906	42
Brake details - drum rear	3703	35
Brake Details, disc front	6218	66
Brake Master Cylinder details	5518	63
Brakes, Disc Brake System	8141	126
Brakes, Drum Brake System	8142	127
	8143	128
	10156	179
	10072	174

**100% SATISFACTION GUARANTEED**

**BUY IT NOW!**

**Click Here To Order**

PayPal American Express Discover MasterCard VISA

Index, Alphabetical Order  
1973 Mustang Part and Body Illustrations

Description	Number	Page
Camshaft, gear and bearings, 6 Cylinder 200, 250 C.I.D.	2964	26
Camshaft, gear and bearings, 8 Cylinder 289 C.I.D.	3733	39
Carburetor - Carter RBS (6 cyl. 250 CID engine)	7295	87
Carburetor - Ford 2/B	9084	164
Carburetor - Ford 4/B	10792	205
Child safety seat	11536	208
Clutch and Clutch Pedal	8144	129
Console (floor)	8052	111
Consolette and related parts	8057	116
Convertible Top Electrical System	8426	150
Cooling Systems, 6 cyl. 250 CID Engine	12377	239
Cooling Systems, 8 cyl. 302 CID Engine	12376	238
Cooling Systems, 8 cyl. 351 CID Engine	12373	237
Courtesy Lamp - pillar mounted	7040	82
Crankcase ventilation system	10350	188
Crankcase ventilation system, 351 CID- 4/B	10347	187
Crankshaft and flywheel, 6 Cylinder 200, 250 C.I.D.	4899	55
Crankshaft and flywheel, 8 Cylinder 289 C.I.D.	3734	40
Cylinder block, 6 Cylinder 200, 250 C.I.D.	3088	27
Cylinder block, external (Cleveland)	16385	265
Cylinder block, external (Windsor)	16387	267
Cylinder block, internal (Cleveland)	16386	266
Cylinder block, internal (Windsor)	16388	268
Cylinder head, valves, and related parts, 8 Cyl.	3727	37
Distributor - Dual Point (8 Cylinder)	10590	201
Distributor - Single Point (8 Cylinder)	9288	170
Distributor (6 cylinder, 250 engines)	10451	195
Door Bumpers, rubber	6440	67
Door Trim Panels	10542	200
Drive Shaft	3144	31
Electrical wire terminals	3194	33
Exhaust Gas Recirculation System - exhaust gas recirculation (E.G.R.)	10433	191
Exhaust Gas Recirculation (E.G.R.) - 250 with A/T	10429	189
Exhaust Gas Recirculation (E.G.R.) - 250 with M/T	10430	190
Exhaust Gas Recirculation (E.G.R.) - 351-4/B with M/T	10437	193

**100% SATISFACTION GUARANTEED**

**BUY IT NOW!**

**Click Here To Order**

PayPal American Express Discover MasterCard VISA

Index, Alphabetical Order  
1973 Mustang Part and Body Illustrations

Description	Number	Page
Emission System - exhaust gas recirculation (E.G.R.) - 351C-2/B, 351-4/B with A/T	10436	192
Engine Assembly - 351 CID	8372	142
Engine assembly, 6 Cylinder 200, 250 C.I.D.	8398	145
Engine Supports, front and rear	10784	203
Engine Supports, front and rear	10785	204
Exhaust System, Dual - 8 cyl., 351-4B	EA-48	271
Exhaust System, Dual - 8 cyl., 351-4B, w/3.25 rear axle ratio, 4 speed M/T	EA-50	273
Exhaust System, Single - 6 cyl., 250-1B	EA-46	269
Exhaust System, Single - 8 cyl., 302-2B	EA-47	270
Exhaust System, Single - 8 cyl., 351-2B	EA-49	272
Exterior Mouldings, Body Type 63 - Back Window	12462	240
Exterior Mouldings, Body Type 63 - W/ Half Vinyl Roof	12324	234
Exterior Mouldings, Body Type 63E, 65 And 76 - Side	11808	227
Exterior Mouldings, Body Type 63R - Stripes	11807	226
Exterior Mouldings, Body Type 65 - Back Window	12463	241
Exterior Mouldings, Body Type 65D, F and 76 - Stripes	11809	228
Exterior Mouldings, Body Type 76 - Back Belt Mouldings	11810	229
Exterior Mouldings, Body Types 63D, 65 And 76 - Side Protection	7859	100
Exterior Mouldings, Body Types 63D, 65D, F, 76 - Back End	7861	102
Exterior Mouldings, Body Types 63R - Back End	7862	103
Exterior Mouldings, Body Types 63R - Side	7860	101
Exterior Mouldings, Body Types 65 - Roof And Back Belt	8571	154
Exterior Mouldings, Door Edge Guards	10061	173
Exterior Mouldings, Windshield	12524	242
Folding Top Parts - less trim - body type 76	8225-A	134
Folding Top Parts - less trim - body type 76 (cont.)	8225-B	135
Front and rear wheel, hub, & bearing	3118	30
Fuel System	8126	125
Gear Shift Mechanism - Hurst Floor Mounted - 4 Speed Manual Transmission	7499	92
Gear Shift Mechanism, Transmission - console or floor mtd - 3 speed trans.	6794	78
Handles and latch parts (front door) - anti-theft alarm system	13004	249
Handles and latch parts (front door) - manual	7802	96
Side marker	10092	175
	6809	80
	8302	140

**100% SATISFACTION GUARANTEED**

**BUY IT NOW!**

**Click Here To Order**

PayPal American Express Discover MasterCard VISA



Index, Alphabetical Order  
1973 Mustang Part and Body Illustrations

Description	Number	Page
Heater and Controls, hose installation - 6 cyl.	13391	254
Heater and Controls, hose installation - 8 cyl.	13393	255
Instrument Cluster and related parts	8205	130
Instrument Cluster, Auxiliary - w/gauges	10207	182
Instrument Panel	8210	132
Instrument Panel Pad and attaching parts	8211	133
Intake Manifold - 8 cyl. 351 CID	8322	141
Interior Trim Parts - body type 63 - w/fixed rear seat	8053	112
Interior Trim Parts - body type 63 - w/folding rear seat	8054	113
Interior Trim Parts - body type 65	8055	114
Interior Trim Parts - body type 76	8056	115
Jack and Spare Wheel Parts	7063	84
Lamp, Rear, Backup, License Plate and Body Side Marker	8098	122
Latch Parts - electric system (Luggage Compartment)	10450	194
Latch Parts (Luggage Compartment)	10159	180
Luggage Carrier, Ski Rack, Luggage Cover - Luggage Compartment Mounted	7402	89
Luggage Compartment trim	7428	90
Mirror, manual - racing -R.H.	10805	206
Mirror, manual - rect.	10471	197
Mirror, remote control - racing - L.H.	10456	196
Mirror, remote control - rect. - L.H.	8641	155
Mirror, trailer towing - door	10473	199
Mirror, trailer towing - fender	10472	198
Moulding retainers AA - AR	11677	209
Moulding retainers AS - BH	11678	210
Moulding retainers BJ - BZ	11679	211
Moulding retainers CA - CR	11680	212
Moulding retainers CS - DH	11681	213
Moulding retainers DJ - DZ	11682	214
Moulding retainers EA - ER	11683	215
Moulding retainers ES - FH	11684	216
Moulding retainers FJ - FZ	11685	217
	11686	218
	11690	219
	11691	220

Index, Alphabetical Order  
1973 Mustang Part and Body Illustrations

Description	Number	Page
Moulding retainers JA - JR	11692	221
Moulding retainers JS - KH	11693	222
Moulding retainers KJ - KZ	11694	223
Moulding retainers LA - LR	11695	224
Moulding retainers LS - MH	11696	225
Moulding retainers MJ - MZ	12039	230
Moulding retainers NA - NR	12040	231
Moulding retainers NS - PH	12041	232
Moulding retainers PJ - RA	12368	235
Moulding retainers RB - RS	12369	236
Moulding retainers RT - SK	12986	246
Moulding retainers SL - TB	12987	247
Moulding retainers TC - TT	12988	248
Moulding retainers TU - UK	13272	251
Moulding retainers UL - VB	13273	252
Moulding retainers VC - VS	13274	253
Moulding retainers VT -WJ	14214	257
Moulding retainers WK - XA	14215	258
Moulding retainers XB - XS	15052	261
Moulding retainers XT - YJ	15053	262
Moulding retainers YK - ZA	15054	263
Moulding retainers ZB -ZN	15055	264
Oil filters - spin-on type	2384	23
Oil pump, 6 Cylinder 200, 250 C.I.D.	2963	25
Oil pump, 8 Cylinder 260, 289,302,351,400,429,460 C.I.D.	3736	41
Piston and connecting rod, 6 Cyl and 8 Cyl 260, 289,302,351,400,429,460 C.I.D.	3732	38
Piston and connecting rod, 6 Cylinder 200, 250 C.I.D.	3090	29
Pressure Release Vent - Quarter	7183	86
Radiator Grille - body type 63R	10152	177
Radiator Grille - body types 63D, 65D, F, 76	10153	178
Rear Axle Non-Locking (separate carrier)	2130	22
Rear Axle, Locking (Traction Lok)	6459	68
Oil pump, 6 Cylinder 200, 250	8408	147
Radiator Grille - body type 65	9199	168
	9266	169

**100% SATISFACTION GUARANTEED**

**BUY IT NOW!**

**Click Here To Order**

PayPal American Express Discover MasterCard VISA

Index, Alphabetical Order  
1973 Mustang Part and Body Illustrations

Description	Number	Page
Seat, Front Seat Back Latch Mechanism - Automatic - center	8047	109
Seat, Front seat back latch mechanism - automatic - outboard	8534	153
Seat, Front Seat Mechanism - lower half	8075	118
Seat, Front Seat Mechanism - upper half (manual)	8076	119
Sheet Medal - body types 63 - upper body	7879	106
Sheet Medal - body types 63, 65 - under body	7877	104
Sheet Medal - body types 65 - upper body	7880	107
Sheet Medal - body types 75 - under body	7878	105
Sheet Medal - body types 76 - upper body	7882	108
Sheet metal - hood - insulator	14424	260
Sheet Metal, Fender and Apron Sheet Metal	8093	121
Sheet Metal, Hood	8086	120
Speed Control - dealer installed	12237	233
Speedometer cable	14371	259
Spoiler - luggage compartment door	8112	123
Starter and Drive Assy. Positive Engagement	3191	32
Steering Column - floor shift - fixed wheel	12637	243
Steering Column - floor shift - tilt wheel	12638	244
Steering Gear Details (Saginaw Design)	4723	53
Steering Linkage (Power and Manual)	8121	124
Steering Wheel - 2 spoke - pad blow	7513	93
Steering Wheel - 3 spoke - rim blow - w/o cover	10685	202
Steering, Manual steering gear assy.	4607	52
Steering, Power steering pump details	5615	64
Steering, Power Steering Pump Installation	7364	88
Steering, Power Steering Pump Installation, 8 cyl engines	10288	185
Sun Visor, vanity mirror and rear view mirror	13023	250
Suspension, Front	6927	81
Suspension, Rear	5960	65
Suspension, Rear - maximum handling stabilizer bar	7455	91
Transmission Automatic, bushings	4862	54
Transmission Automatic, Shift control selector mechanism, Automatic	6802	79
Water pump, extension, pump - typical	4326	43
Water pump, shafts, rear support - typical	4327	44
Water pump, upper body assy. (Basic 7A100) - typical	4507	50

**100% SATISFACTION GUARANTEED**

**BUY IT NOW!**

**Click Here To Order**

PayPal American Express Discover MasterCard VISA

Index, Alphabetical Order  
1973 Mustang Part and Body Illustrations

Description	Number	Page
Transmission C4 Type, Parking pawl, throttle and manual control linkage - typical	4330	47
Transmission C4 Type, Servo and band, front - typical	4328	45
Transmission C4 Type, Servo and band, rear - typical	4329	46
Transmission C6 Type, Case, converter assy., extension, pump - typical	5172	57
Transmission C6 Type, Clutches, gears, shafts - typical	5173	58
Transmission C6 Type, Main control valve body assy. (Basic 7A100) - typical	5176	60
Transmission C6 Type, Parking pawl, throttle and manual control linkage - typical	5191	61
Transmission C6 Type, Servo and band - typical	5174	59
Transmission FMX type - Case, converter assy., extension, pump, rear support - typical	6462	69
Transmission FMX type - Clutches, gears, shafts, extension - typical	6463	70
Transmission FMX type - Main control valve body assy. (Basic 7A100) - typical	6466	73
Transmission FMX type - Oil pressure regulator assy. (Basic 7A139) - typical	6470	74
Transmission FMX type - Oil pressure tubes installation - typical	6472	76
Transmission FMX type - Parking pawl, throttle and manual control linkage - typical	6471	75
Transmission FMX type - Servo and band, front - typical	6464	71
Transmission FMX type - Servo and band, rear - typical	6465	72
Transmission Oil cooling system, automatic - typical	7041	83
Transmission, Manual 3 Speed, 3.03	9882	172
Transmission, Manual 4 Speed, Ford Design	9881	171
Valves, push rods and rocker arm cover, 6 Cyl and 8 Cyl 260, 289,302,351,400,429,460	3726	36
Valves, push rods and rocker arm cover, 6 Cylinder	3089	28
Ventilating Ducts	9106	165
Warning Indicator System - safety convenience	8429	151
Water Pump - 8 cyl. 351C, 400, 429, 460 engines	6492	77
Water Pumps, 6 cyl. - 200, 250 engines	2962	24
Water Pumps, 8 cyl. - 289, 302, 351W engine (with cover)	5143	56
Window parts - moveable - (quarter) - body type 63, 65, 76	7847	99
Window parts - stationary - (quarter) - body type 63	7846	98
Window parts (front door)	7824	97
Window Regulator	10198	181
Window, back	13686	256
Window, back - Heated (defroster)	8431	152
	8059	117
	8051	110
	8388	144

**SATISFACTION 100% GUARANTEED**

**BUY IT NOW!**

**Click Here To Order**

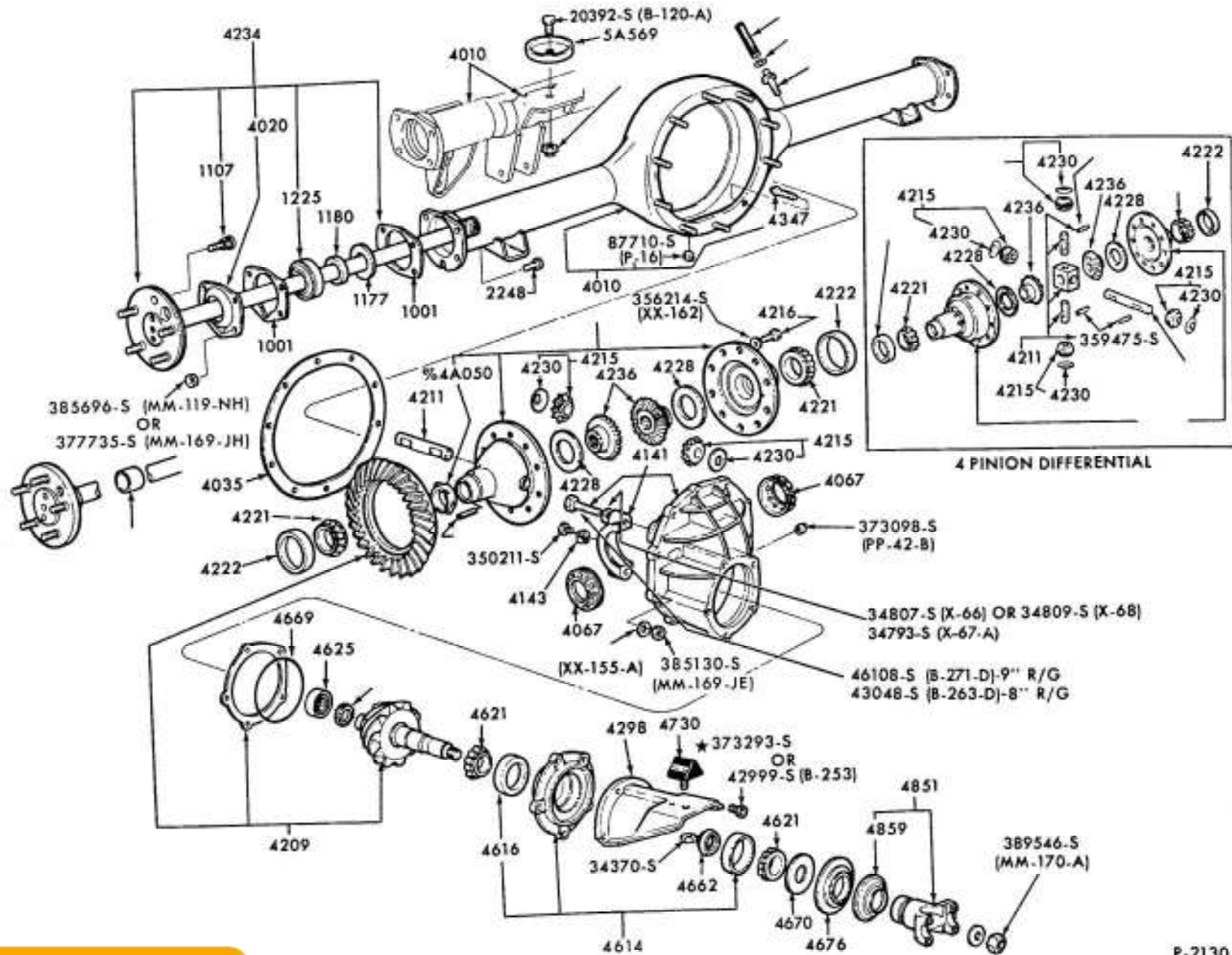
PayPal   American Express   Discover   MasterCard   VISA



Index, Alphabetical Order  
1973 Mustang Part and Body Illustrations

Description	Number	Page
Windshield Wiper	8387	143
Windshield wiper - wiper motor (2 speed Ford electric)	11434	207
Wire Connection Sleeve Kits	5344	62
Wiring System - instrument panel	8206	131
Wiring System (Page A)	8406	146
Wiring System (Page B)	8411	149
Wiring System (Page C)	8410	148





4 PINION DIFFERENTIAL

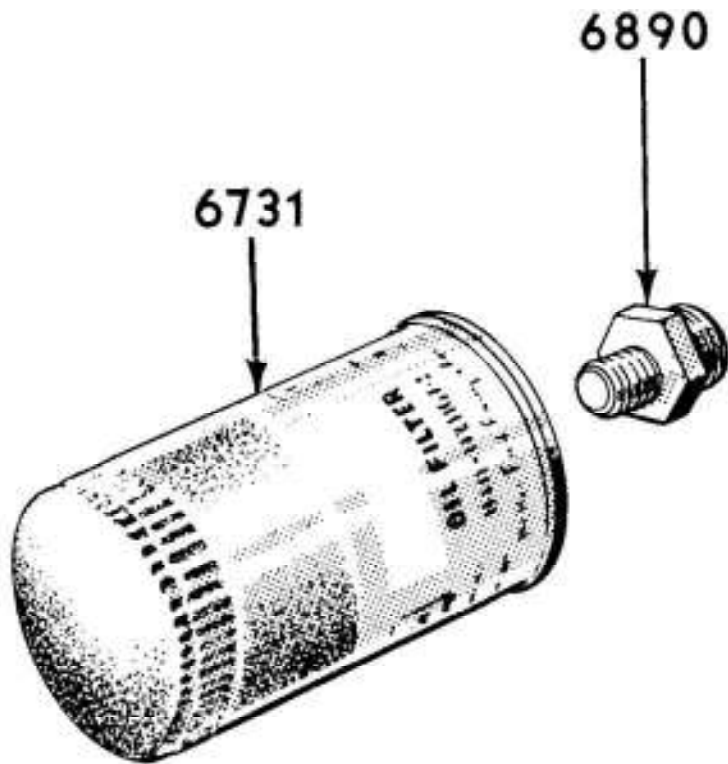
**100% SATISFACTION GUARANTEED**

**BUY IT NOW!**

**Click Here To Order**

PayPal    American Express    Discover    MasterCard    VISA

REAR AXLE (NON-LOCKING w/SEPARATE CARRIER) - 8" AND 9" RING GEARS-  
 W/O REAR DISC BRAKES - TYPICAL  
 1973 / 78 MUSTANG, 1973 / 77 BRONCO, 1973 / 78 FORD, 1973 / 77 MAVERICK,  
 THUNDERBIRD, TORINO 1975/ GRANADA, 1975 / 78 PINTO AND 1977/ LTD II



P-2384

**ENGINE OIL FILTER AND RELATED PARTS (SPIN-ON TYPE) - TYPICAL**

1973/ 4 CYL. 122 (2000 cc) AND 140 (2300 cc)

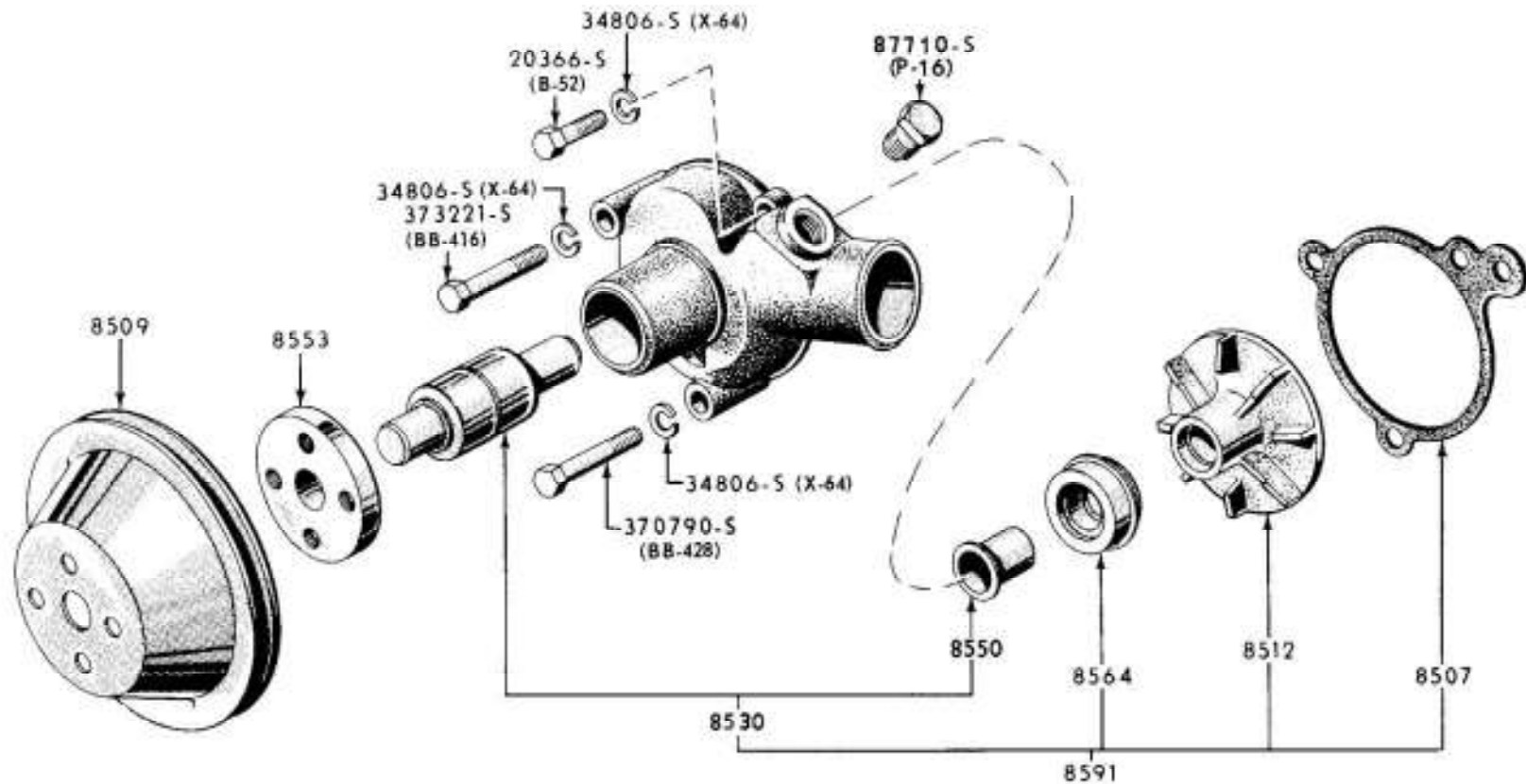
1973/ 6 CYL. 200, 250 AND 8 CYL. 302, 351, 400, 429 AND 460

**100% SATISFACTION GUARANTEED**

**BUY IT NOW!**

**Click Here To Order** 

PayPal   



P-2962

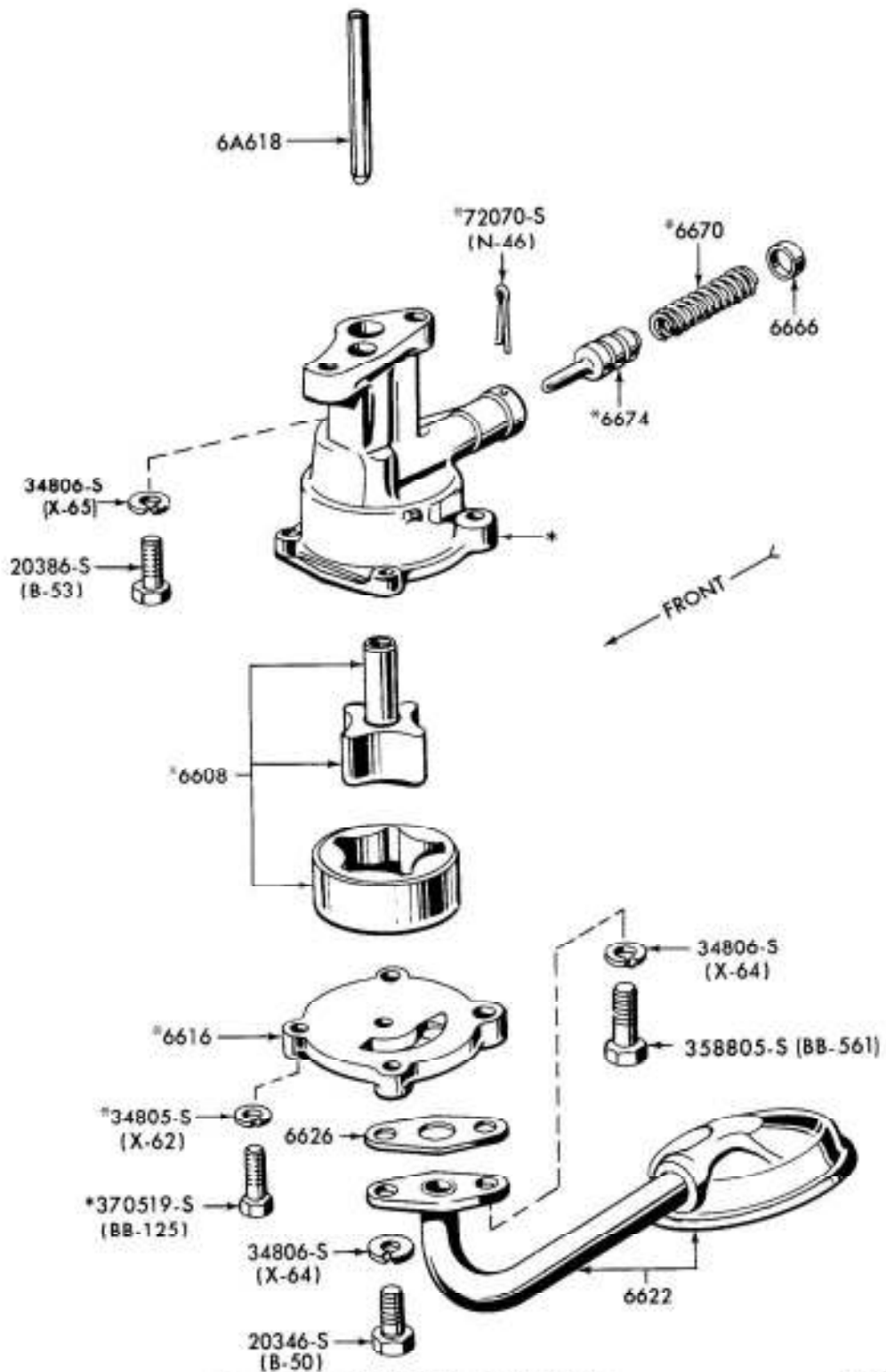
**100% SATISFACTION GUARANTEED**

**BUY IT NOW!**

**Click Here To Order**

**WATER PUMP**  
 1973/ 6 CYL. 200 AND 250





\*SUPPLIED IN 6600 PUMP ASSEMBLY

P-2963

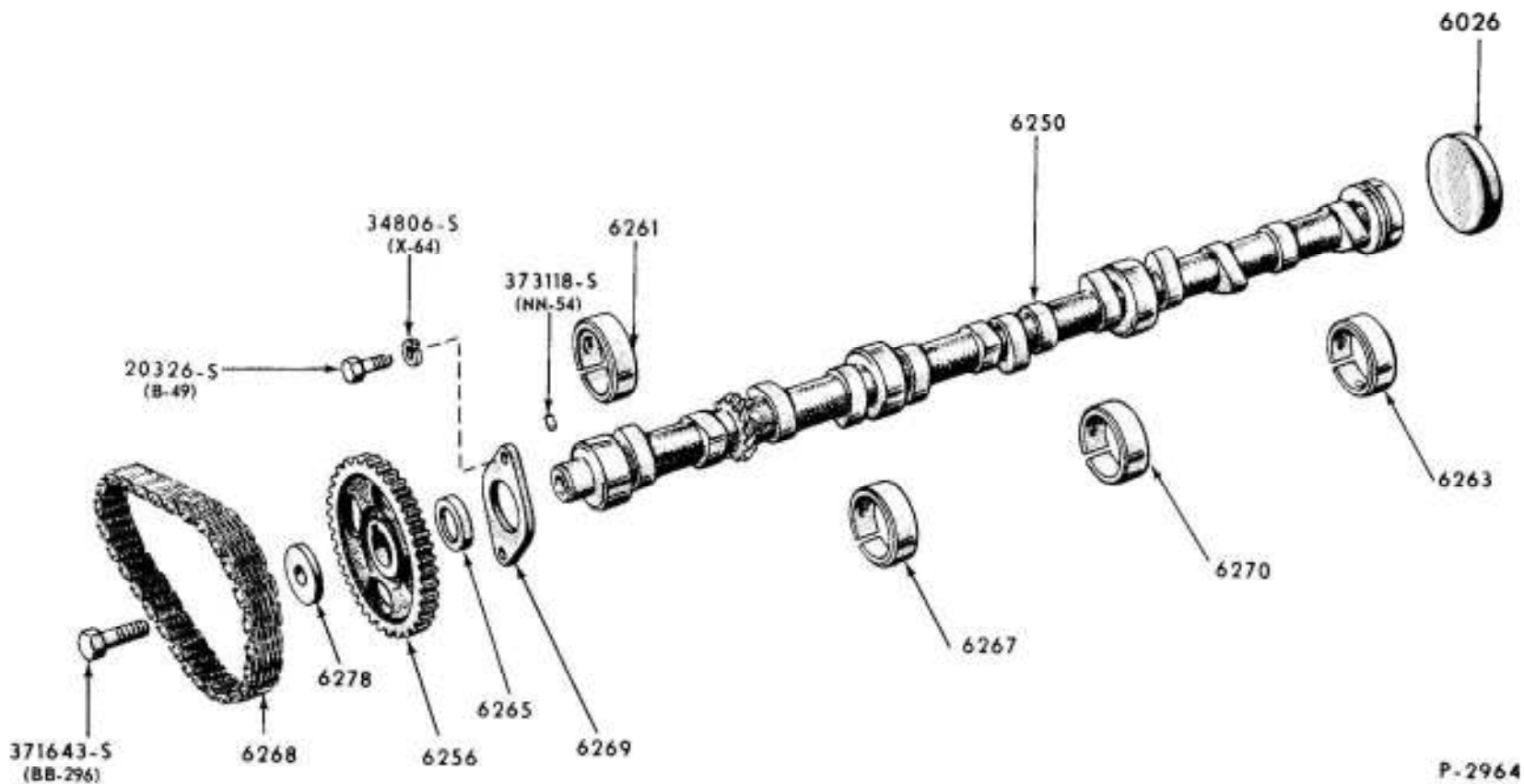
**100% SATISFACTION GUARANTEED**

**BUY IT NOW!**

**Click Here To Order**

PayPal    American Express    DISCOVER    MASTERCARD    VISA

**L PUMP AND RELATED PARTS - TYPICAL**  
 1973/ 6 CYL. 200 AND 250



**100% SATISFACTION GUARANTEED**

**BUY IT NOW!**

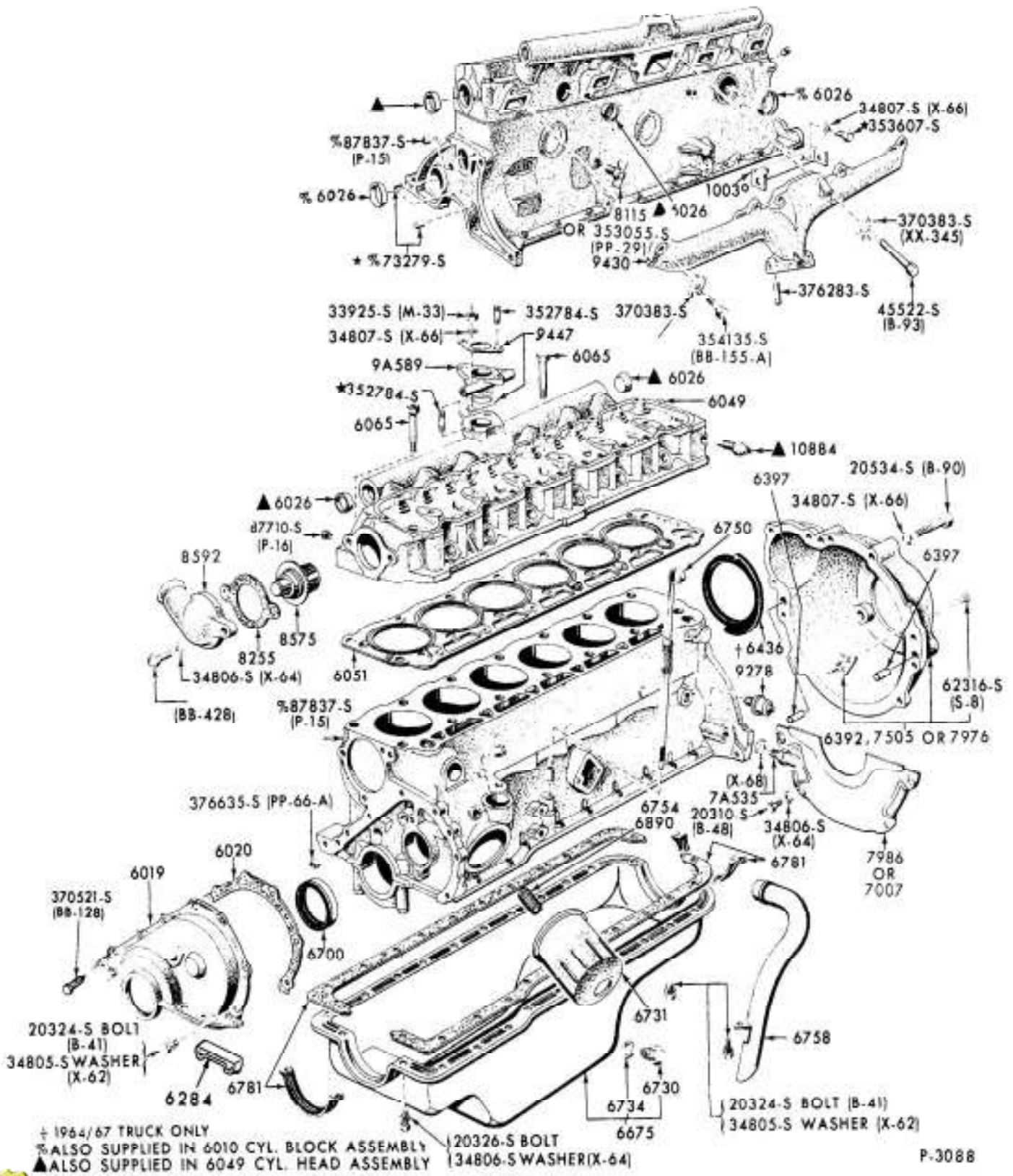
**Click Here To Order**







ENGINE CAMSHAFT, GEAR, BEARINGS AND RELATED PARTS - TYPICAL  
1973/ 6 CYL. 200 AND 250



P-3088



**BUY IT NOW!**

**Click Here To Order**

**ENGINE BLOCK AND RELATED PARTS - TYPICAL  
1973 6 CYL. 200 AND 250**

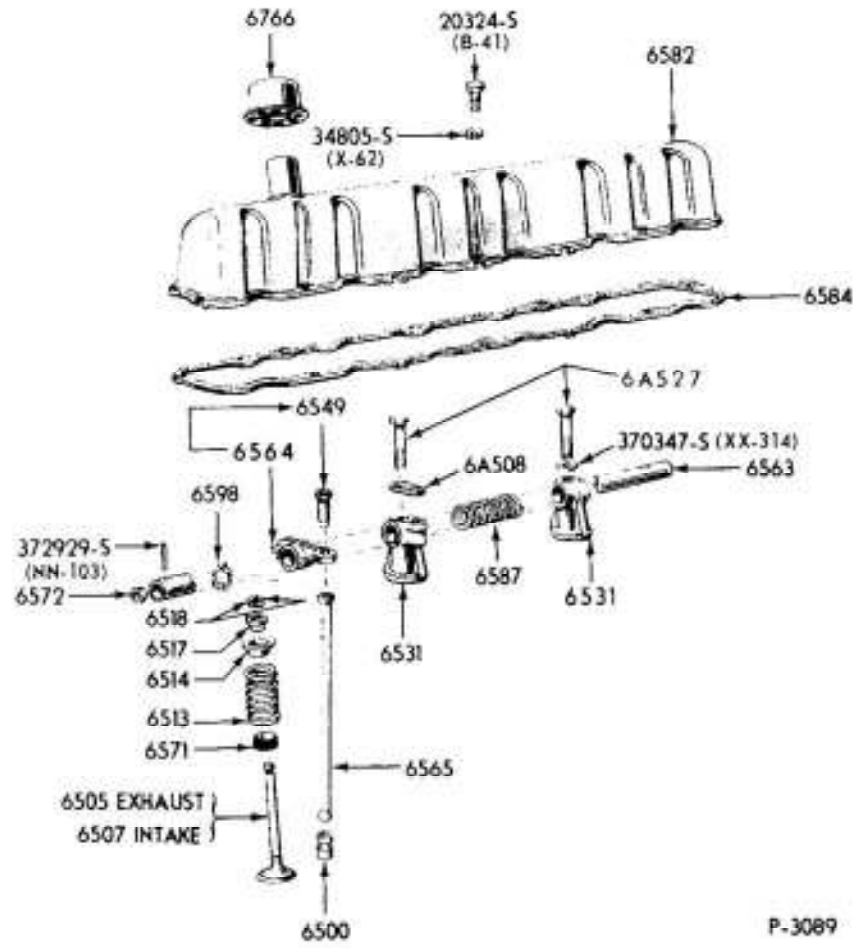
PayPal

Discover  
Cards

Discover  
Novus

MasterCard

VISA



P-3089

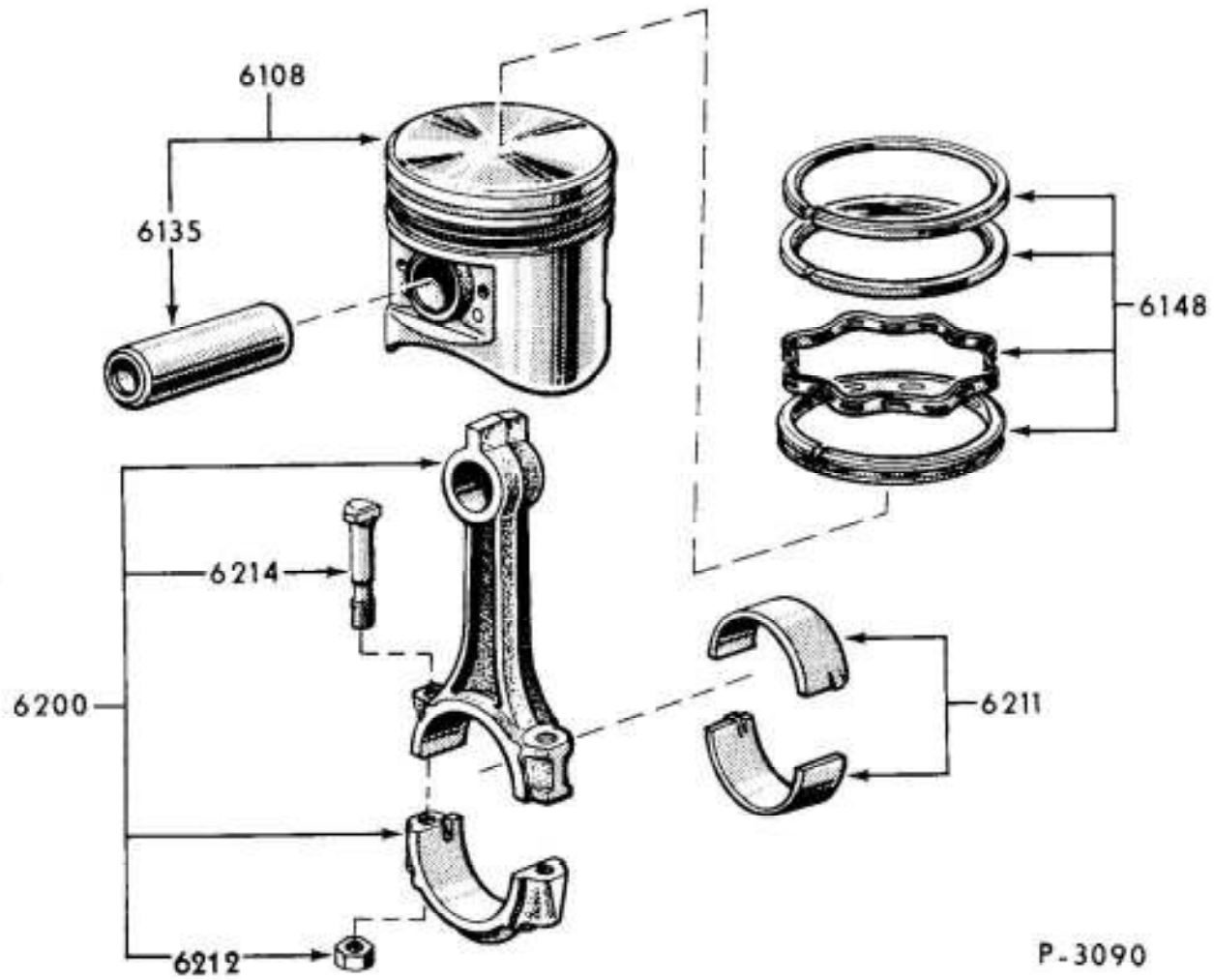
**100% SATISFACTION GUARANTEED**

**BUY IT NOW!**

**Click Here To Order**

VALVES, PUSH RODS, ROCKER ARM COVER AND RELATED PARTS - TYPICAL  
1973/ 6 CYL. 200 AND 250





P-3090

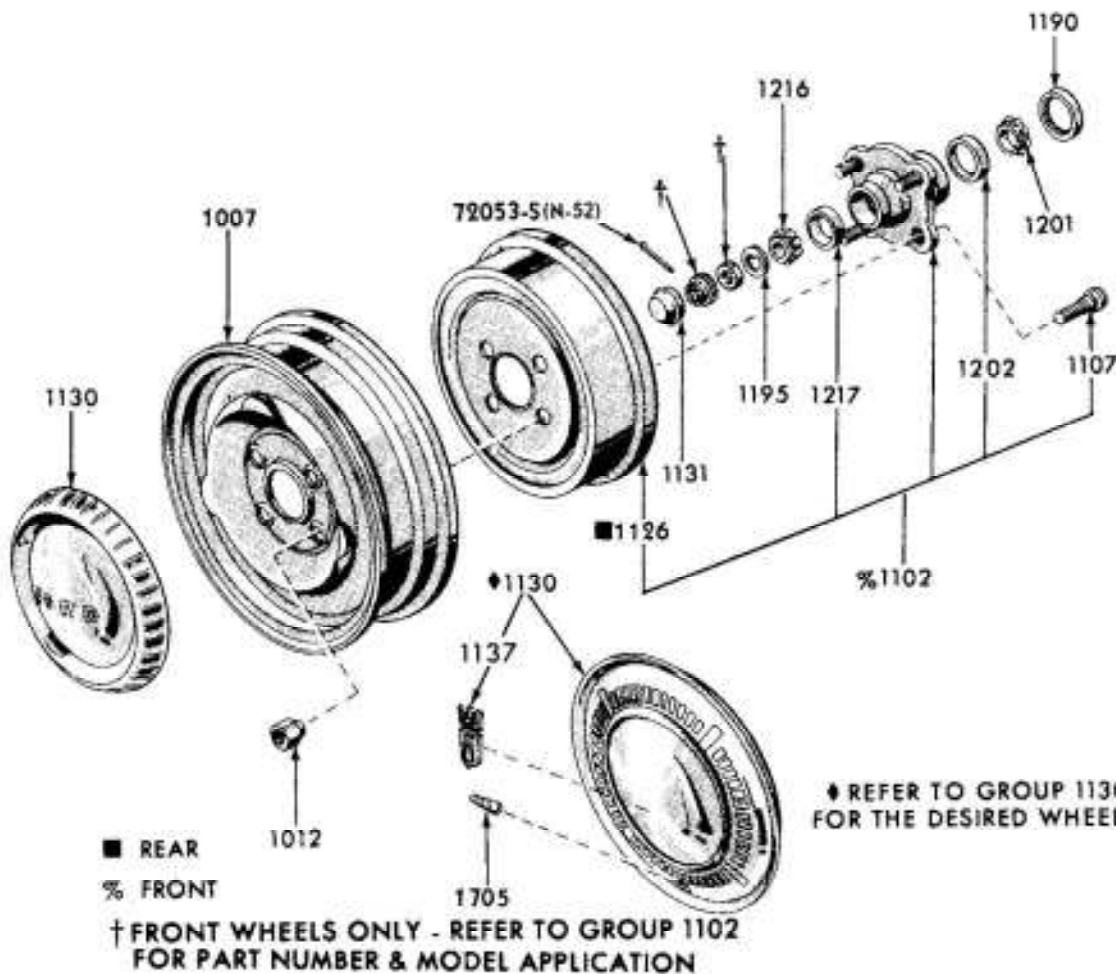
**100% SATISFACTION GUARANTEED**

**BUY IT NOW!**

**Click Here To Order**

PayPal    American Express    DISCOVER    MasterCard    VISA

ENGINE PISTON, CONNECTING ROD AND RELATED PARTS - TYPICAL  
1973/ 6 CYL. 200 AND 250



P-3118


**BUY IT NOW!**  
 Click Here To Order 

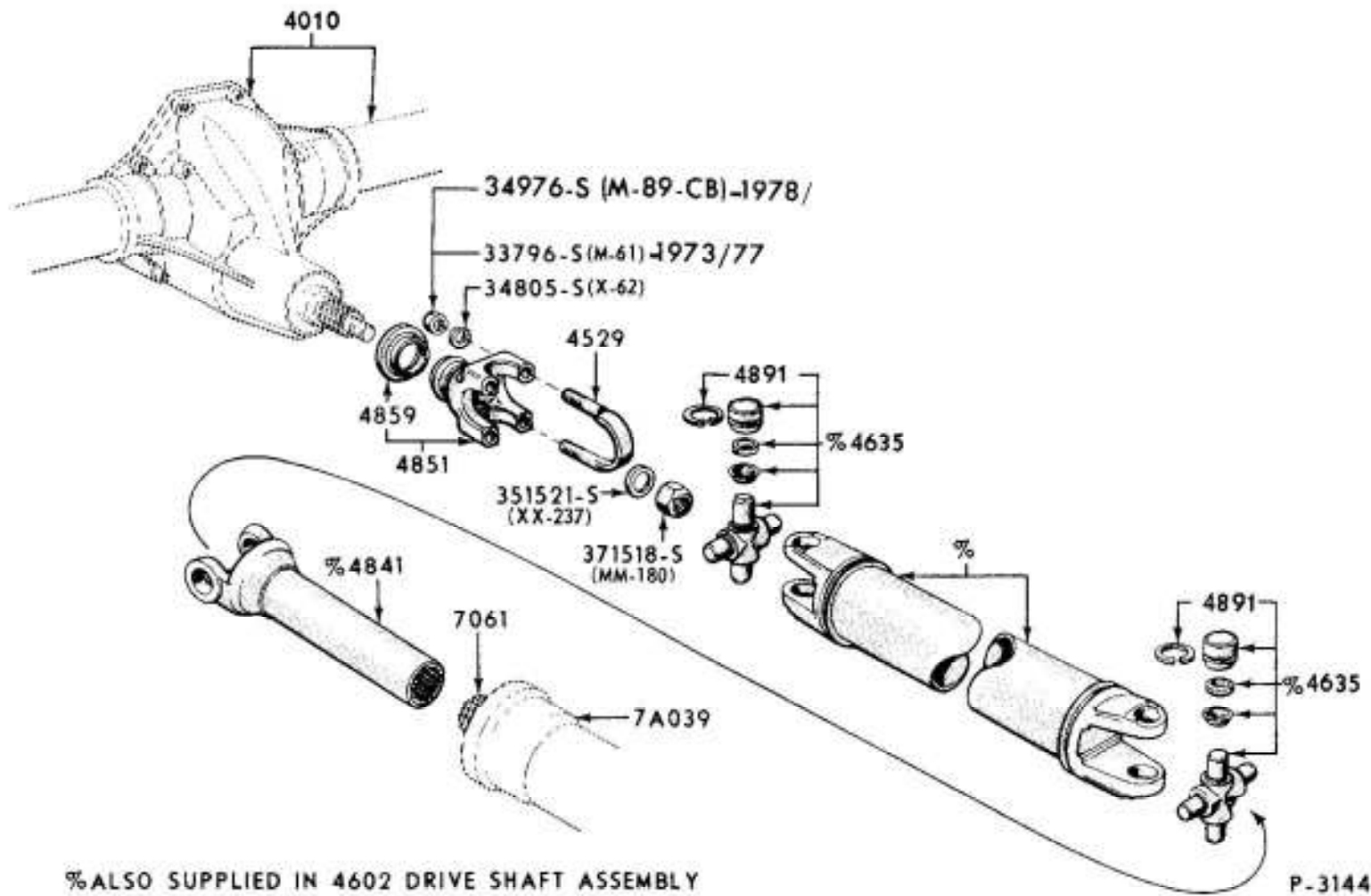





**WHEELS AND RELATED PARTS - TYPICAL  
 1973 MUSTANG AND PINTO (REAR ONLY)**

1973 / 77 MAVERICK (FRONT AND REAR) AND 1973 / 76 TORINO (REAR ONLY)  
 1975 / 78 GRANADA 1975 / 78 GRANADA AND 1977 / LTD II (REAR ONLY)





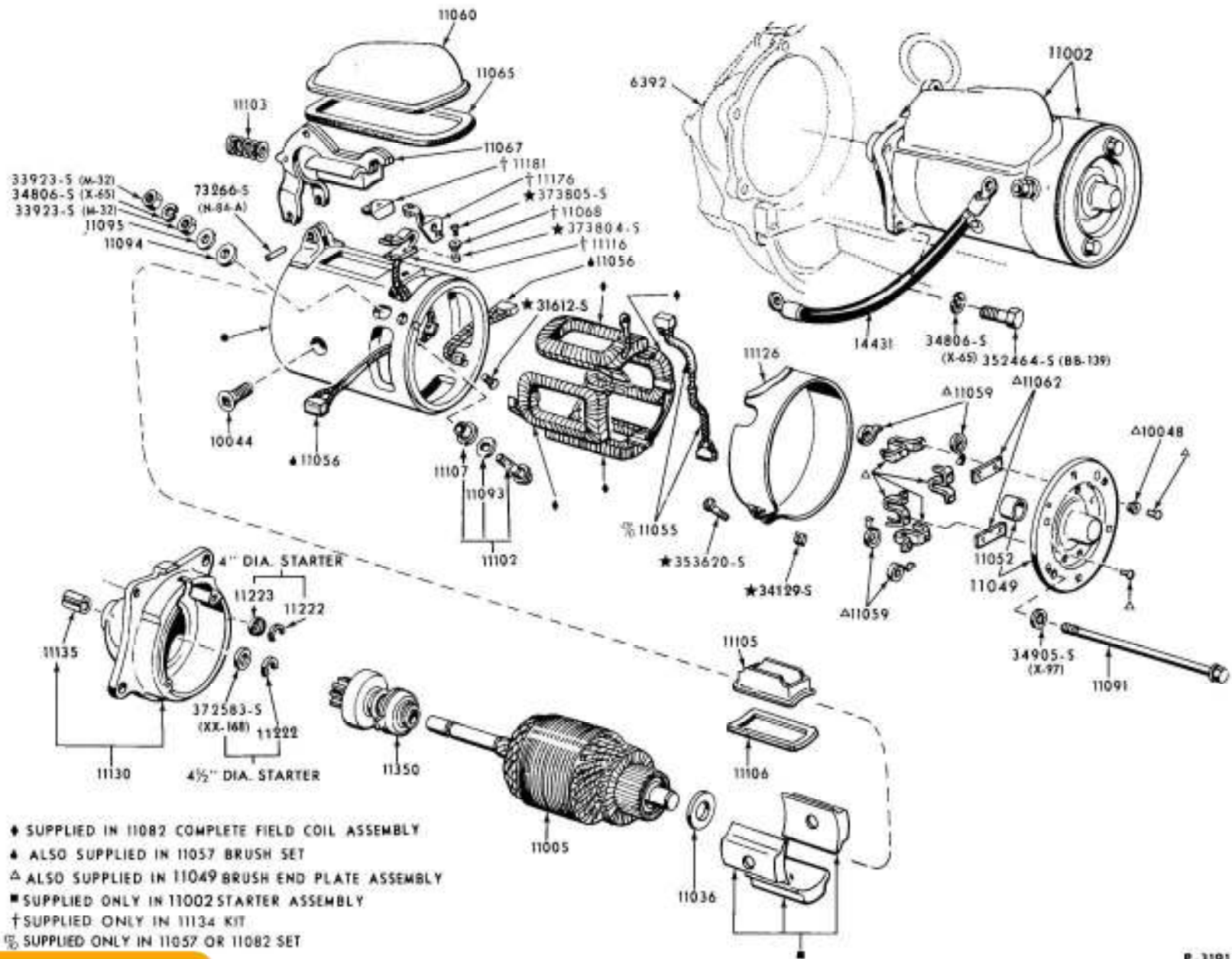
**DRIVESHAFT - TYPICAL (W/HALF CIRCULAR AXLE FLANGE)**  
 1973 / 77 MAVERICK, 1973 / 78 MUSTANG, 1973 / PINTO, TORINO  
 1975 / GRANADA AND 1977 / LTD II, THUNDERBIRD

**100% SATISFACTION GUARANTEED**

**BUY IT NOW!**

**Click Here To Order**

PayPal  
 Cards  
 DISCOVER  
 MASTERCARD  
 VISA



P-3191



**BUY IT NOW!**

**Click Here To Order**

**AND DRIVE ASSY. - FORD POSITIVE ENGAGEMENT W/O INTEGRAL SOLENOID  
 1973 / 77 ALL -- W/SIDE CABLE ATTACHMENT  
 1978 / ALL -- 4 CYL. 2.3L**



# WIRE TERMINALS

**SHEARS BOLTS  
CRIMPS TERMINALS  
STRIPS AND  
CUTS WIRE**

*Illustrated here are high quality terminals and connectors containing these special features:*

Color coded for easy identification

Expanded insulated sleeves for easy application

Wire stops to eliminate error

Tin plated electrolytic copper for corrosion resistance

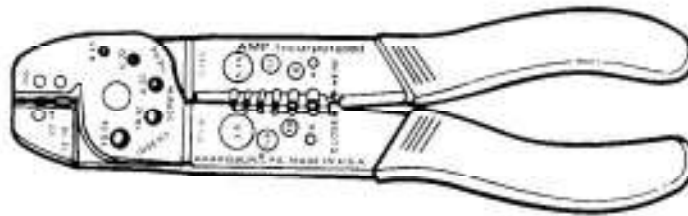
Plastic insulation eliminates taping

Serrated metal inside terminals

Bell mouth terminals and connectors for easy wire insertion

 12-10 WIRE #3/8 STUD B9A-14294-H	 16-14 WIRE #1/4 STUD B9A-14294-D	 22-16 WIRE #10 STUD B9A-14294-A	 18-14 WIRE SHUR PLUG B9A-14294-K
 12-10 WIRE #1/4 STUD B9A-14294-G	 16-14 WIRE #10 STUD B9A-14294-C	 22-16 WIRE BUTT CONNECTOR B9A-14487-A	 18-14 WIRE FASTON TAB B9A-14294-J
 12-10 WIRE #10 STUD B9A-14294-F	 16-14 WIRE #6 STUD B9A-14294-B	 16-14 WIRE BUTT CONNECTOR B9A-14487-B	 DISTRIBUTOR HIGH TENSION C5TZ-14466-A
 16-14 WIRE #10 STUD B9A-14294-E	 18-14 WIRE FASTON RECEPTACLE B9A-14294-L	 16-14 WIRE SHUR PLUG B9A-14294-M	 18-14 WIRE CONNECTOR B6A-14487-A
 18-14 WIRE CONNECTOR B7A-14487-A			

**CRIMPING  
TOOL  
B9A-17018-A**



**COLOR CODE**

22-16 WIRE SIZE  
RED

16-14 WIRE SIZE  
BLUE

12-10 WIRE SIZE  
YELLOW

P-3194

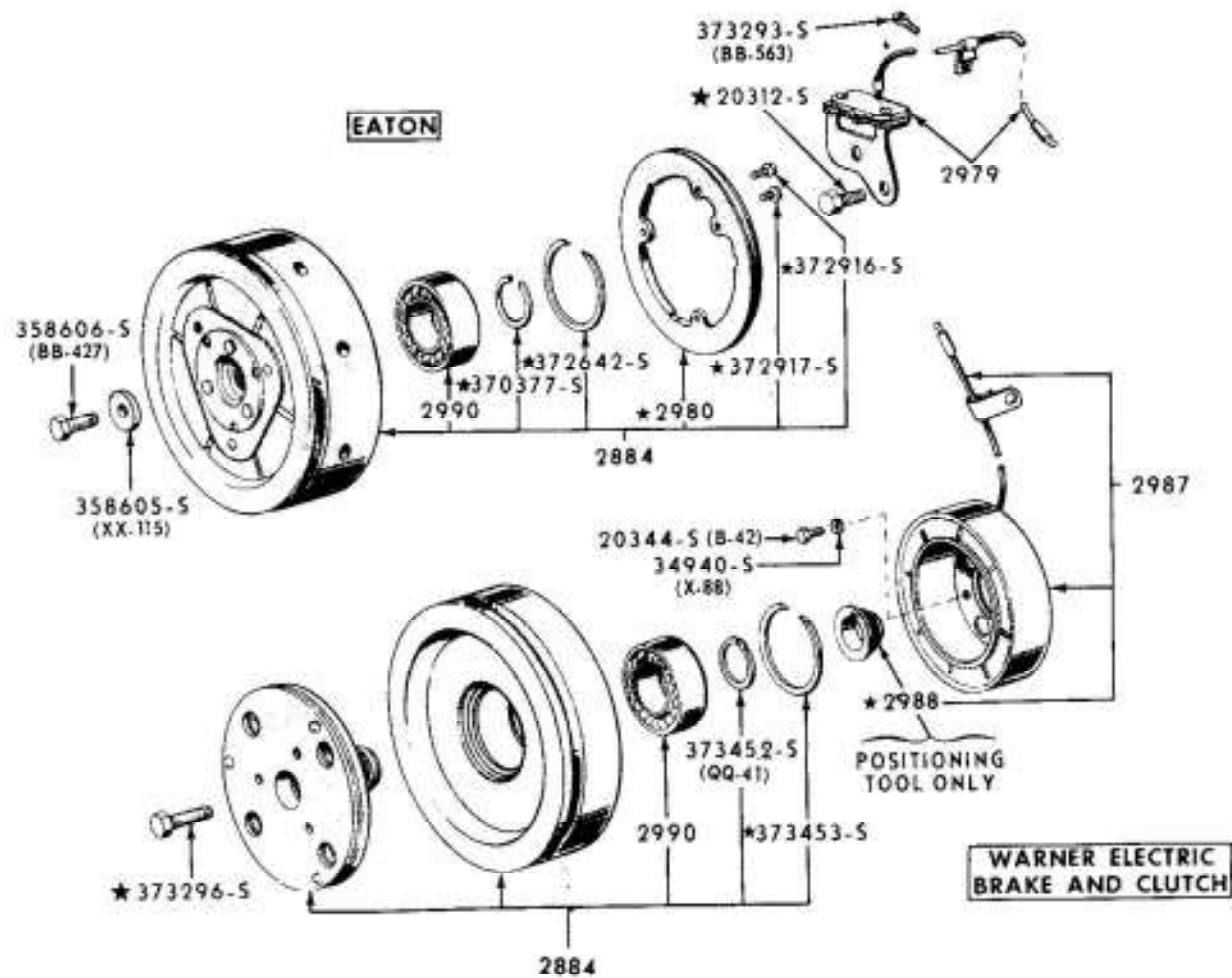
**ELECTRICAL WIRE TERMINALS  
1973/ ALL MODELS**

**100% SATISFACTION GUARANTEED**

**BUY IT NOW!**

**Click Here To Order**





P-3216

**100% SATISFACTION GUARANTEED**

**BUY IT NOW!**

**Click Here To Order**

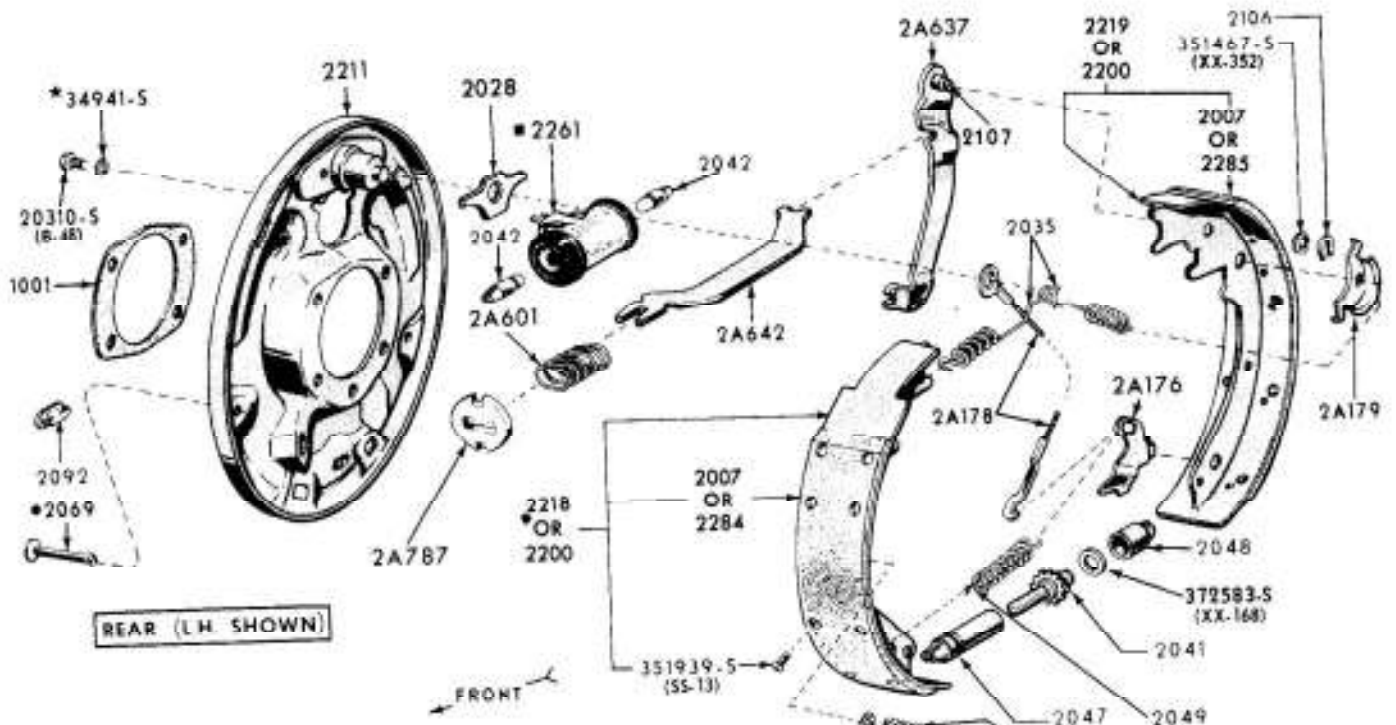
PayPal

Discover

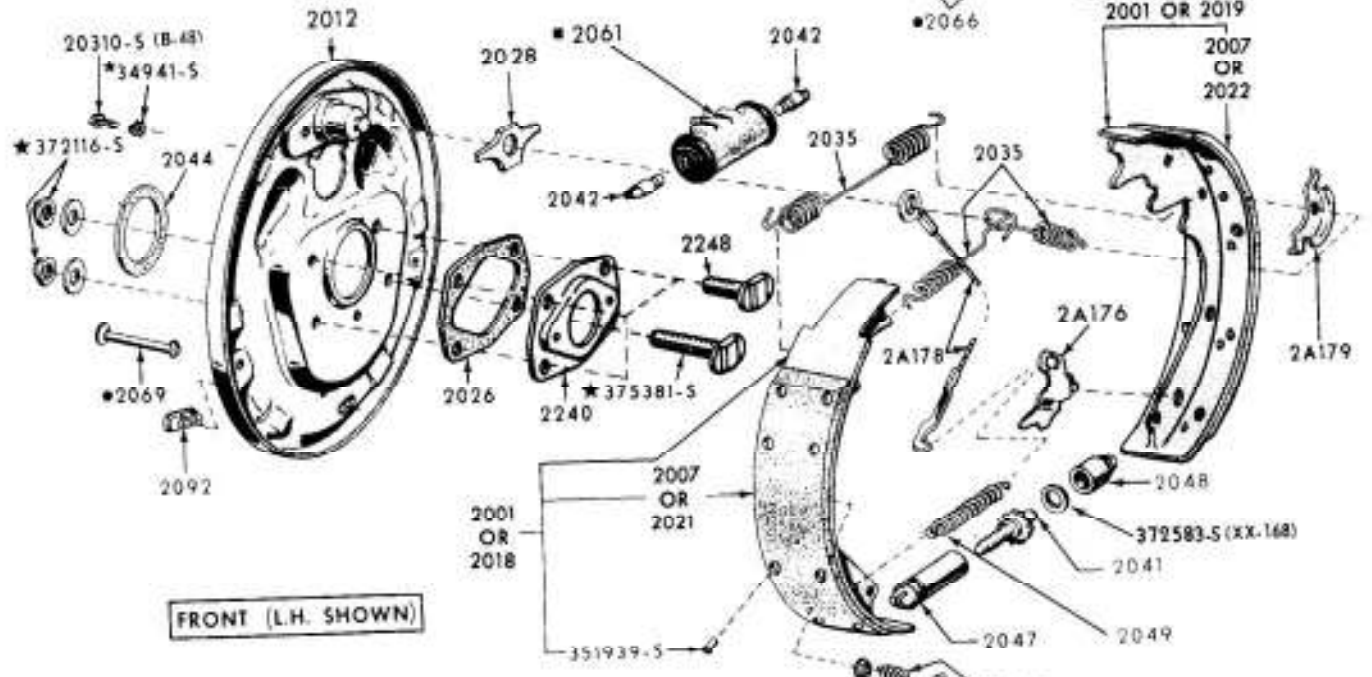
MasterCard

VISA

**CLUTCHES AND RELATED PARTS - AIR CONDITIONER COMPRESSOR**  
**1973 / ALL -- INTEGRAL A/C**



REAR (LH SHOWN)



FRONT (LH SHOWN)

\*ALSO SUPPLIED IN 2A094 BRAKE SHOE HOLD DOWN KIT  
 ■ REFER TO ILLUSTRATION P.3906 IN THIS SECTION  
 †FOR DETAIL PARTS

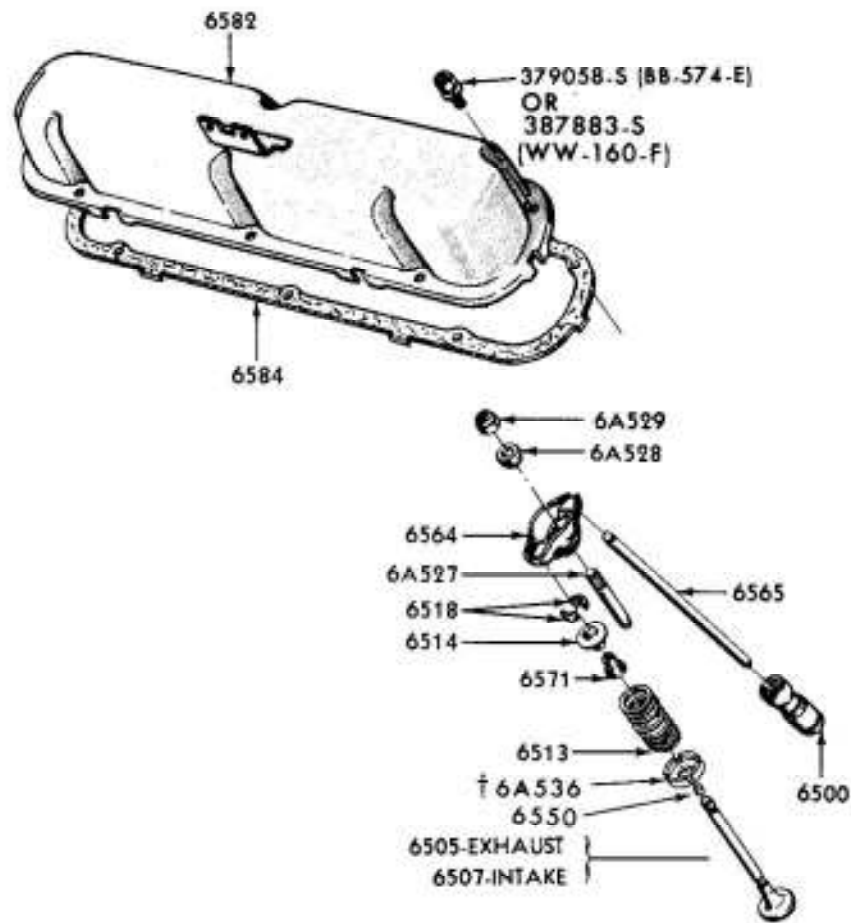
**DRUM BRAKE ASSY. (SELF ADJUSTING) - TYPICAL**  
**MUSTANG AND PINTO (FRONT AND REAR), 1973 / 74 MAVERICK (FRONT AND REAR)**  
**NO (REAR ONLY), 1974 / MUSTANG AND PINTO,**  
**GRANADA AND MAVERICK (REAR ONLY)**  
**RBIRD (REAR ONLY), 1978 / FAIRMONT AND 1979 FORD**



**BUY IT NOW!**

**Click Here To Order**





† 8 CYL. 302 SPECIAL, 351 SPECIAL and 429 SPECIAL ENG. ONLY P-3726

**100% SATISFACTION GUARANTEED**

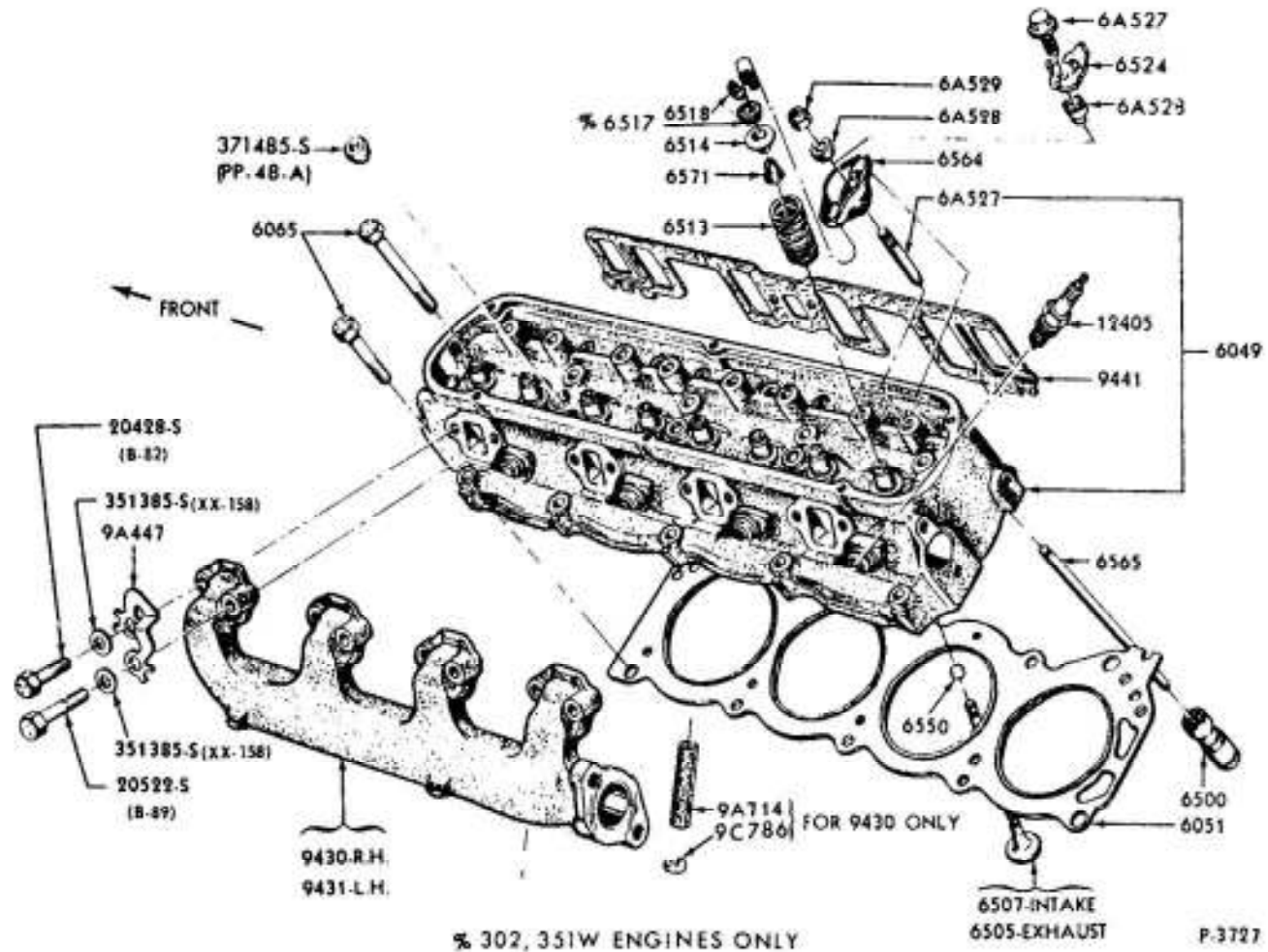
**BUY IT NOW!**

**Click Here To Order**

PayPal, American Express, Discover, MasterCard, VISA

VALVES, PUSH RODS, ROCKER ARM COVER AND RELATED PARTS - TYPICAL  
1973 / 8 CYL. 302, 351, 400, 429 AND 460



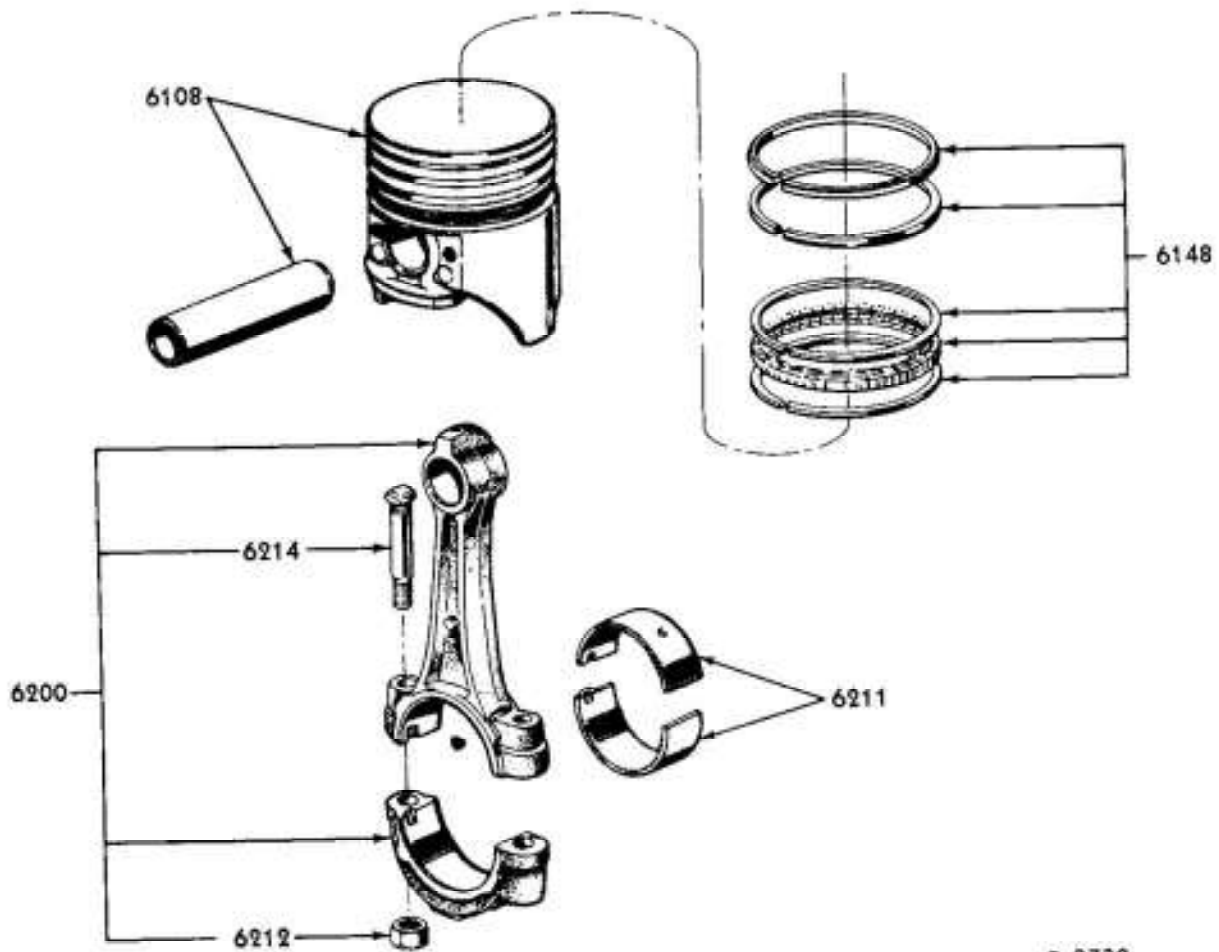


CYLINDER HEAD, VALVES AND RELATED PARTS - TYPICAL  
1973 / 8 CYL. 302, 351, 400, 429 AND 460

**100% SATISFACTION GUARANTEED**

**BUY IT NOW!**

**Click Here To Order**



P. 3732

**100% SATISFACTION GUARANTEED**

**BUY IT NOW!**

**Click Here To Order**

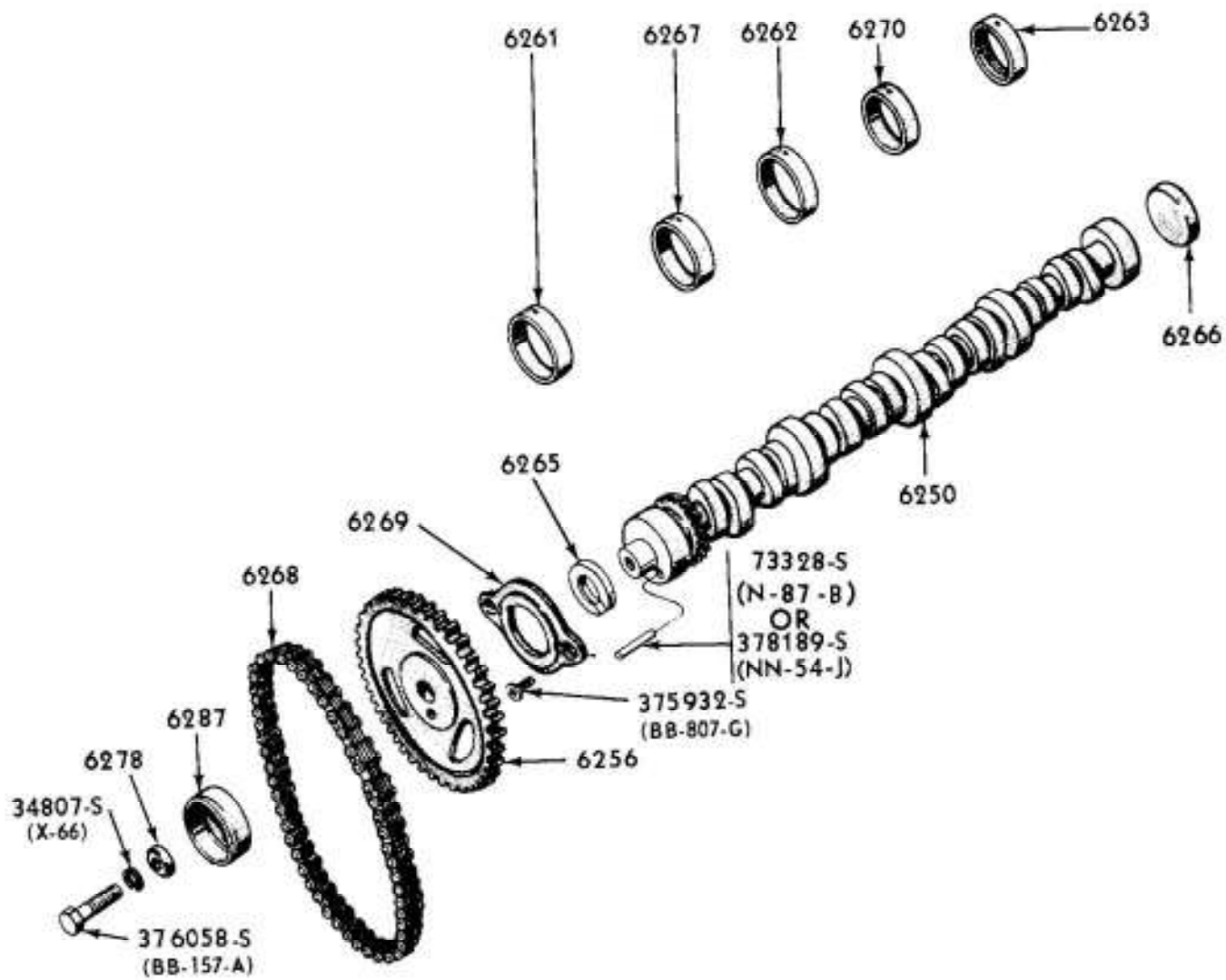
PayPal

Discover

MasterCard

VISA

ENGINE PISTON, CONNECTING ROD AND RELATED PARTS - TYPICAL  
1973 / 8 CYL. 302, 351, 400, 429 AND 460



P-3733

**100% SATISFACTION GUARANTEED**

**BUY IT NOW!**

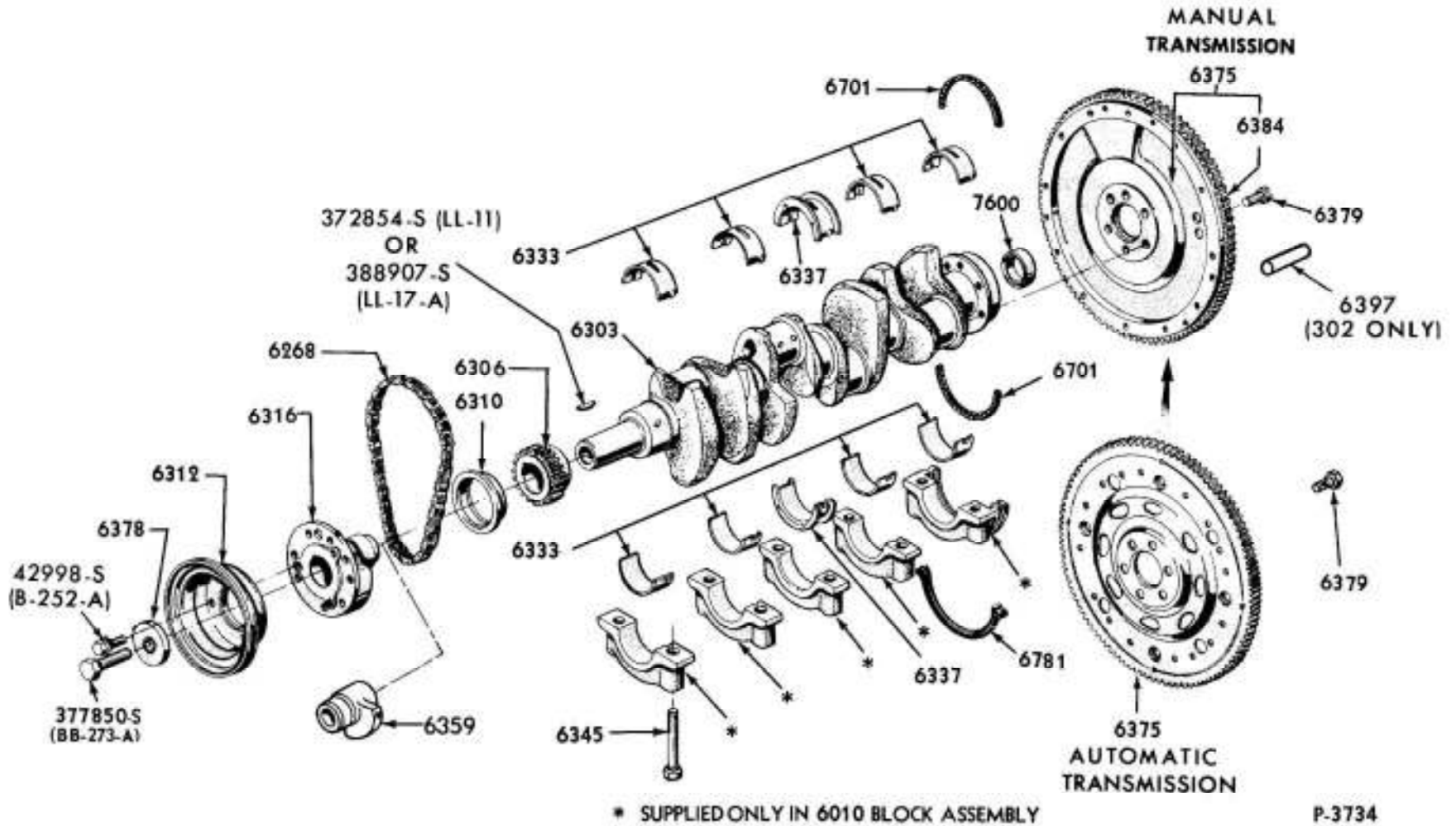
**Click Here To Order**







ENGINE CAMSHAFT, GEAR, BEARINGS AND RELATED PARTS - TYPICAL  
1973 / 8 CYL. 302, 351, 400, 429 AND 460



P-3734

**100% SATISFACTION GUARANTEED**

**BUY IT NOW!**

**Click Here To Order**

PayPal

Discover

MasterCard

VISA

ENGINE CRANKSHAFT, FLYWHEEL AND RELATED PARTS - TYPICAL  
1973 / 8 CYL. 302, 351, 400, 429 AND 460